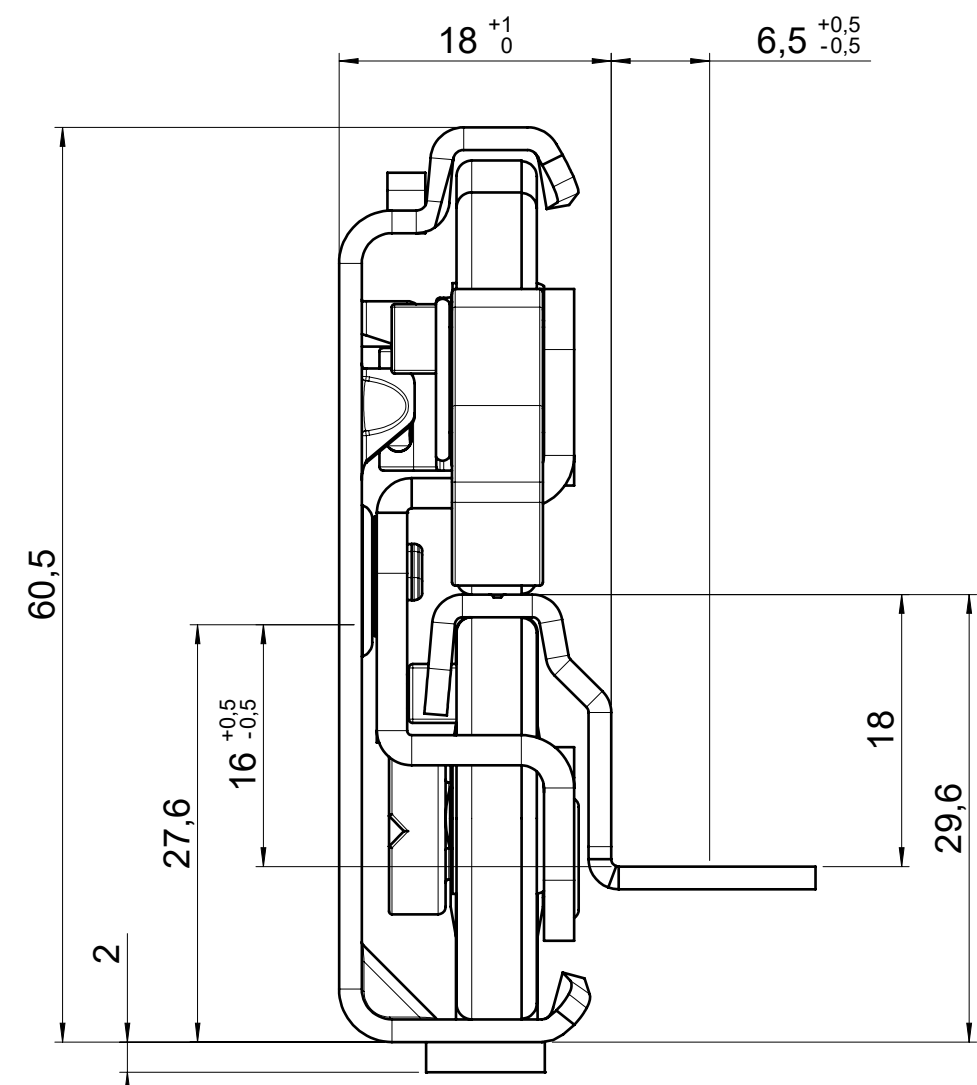
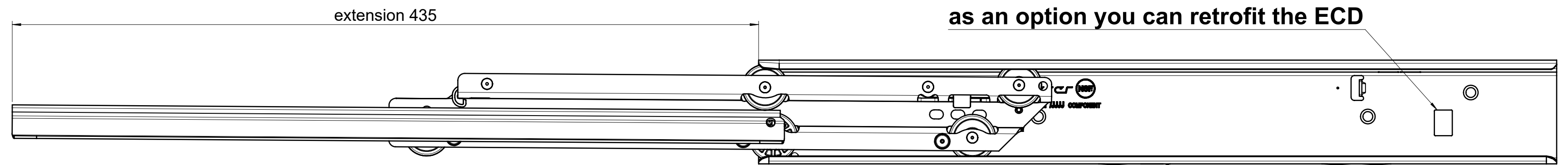
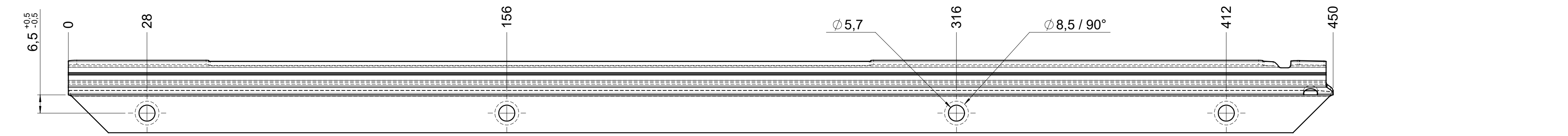
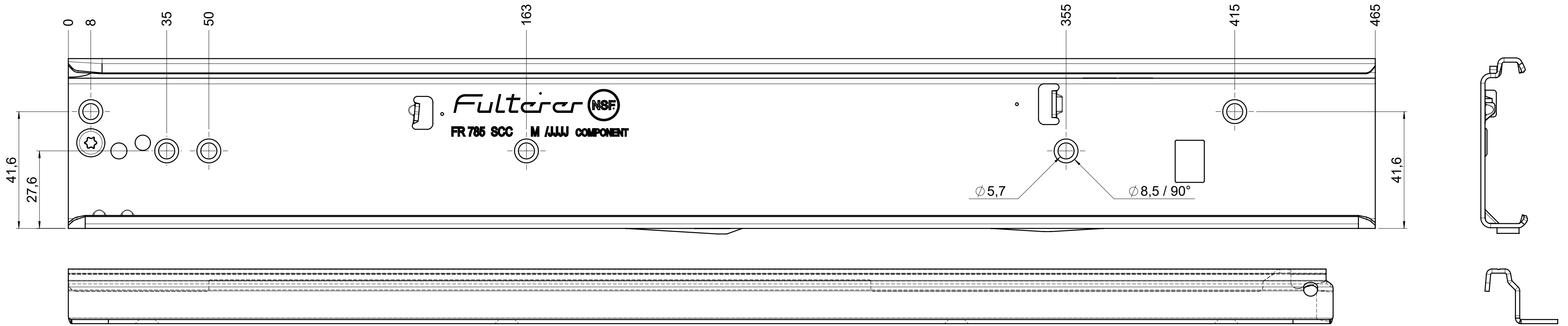


drawn left (right mirrorimage)



**final approval**

customer name:

signed by:

date:

**all dimensions in mm**

DIN ISO 128-30  
missing dimensions see 3D  
= theor. intersection

This drawing remains our property and may not be multiplied neither be disclosed to third parties (§§1,3 and 5 from the copyright Act (UrhG)) covered according to DIN ISO 16016				scale: 1:1	surface:	material, semi finished parts: CS (technical requirements Fulterer)	A2
(k)				date	name	description: FR 786 / 45 CS EN (mm) progressive-action full-extension drawerslide / bottom mount	drawing number: <b>CS# 786.450-GA.L501</b> replaces version date:
(l)			drawn 17-01-2023	ex			
(m)			proven 01-02-2023	pr			
(n)					Fulterer AG & Co KG A-6890 Lustenau / Austria Fulterer AG CH-9430 St. Margrethen		
(o)							
(p)			changes	date	na.		