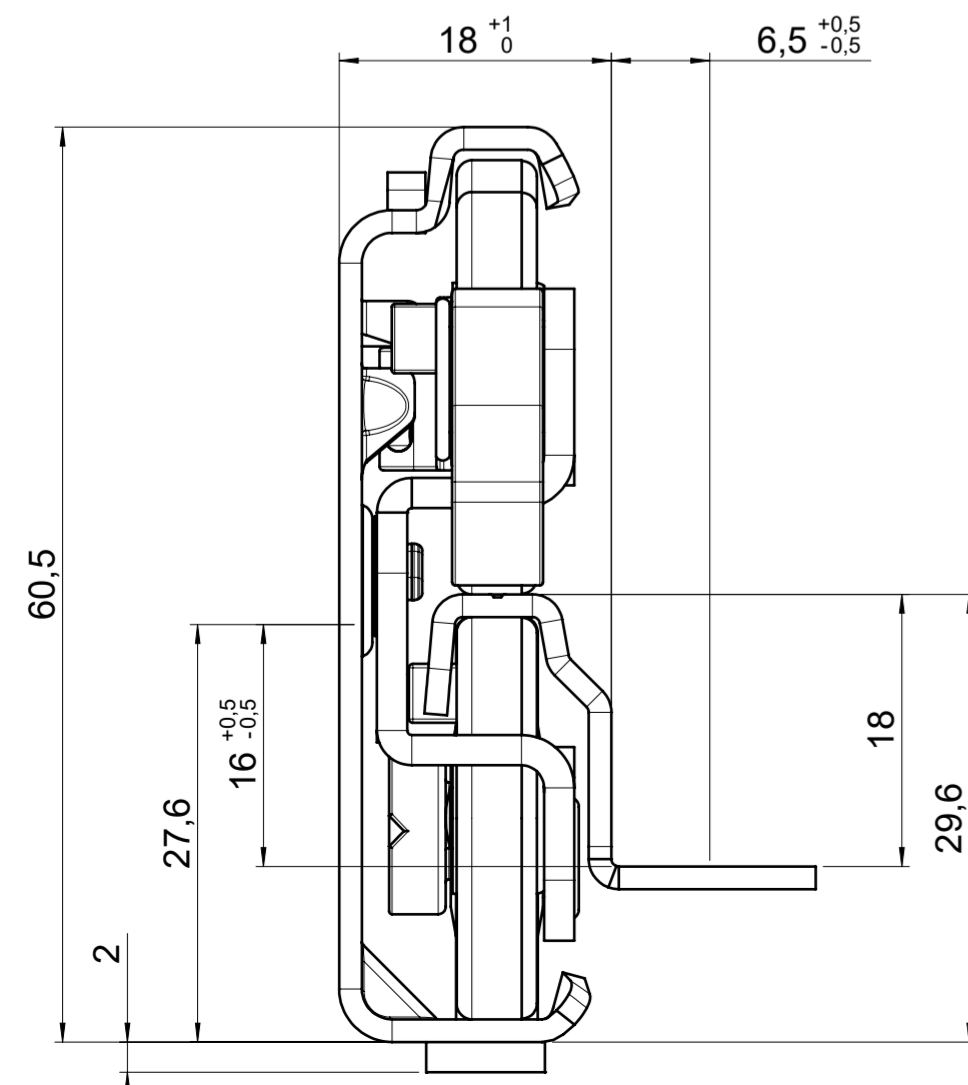
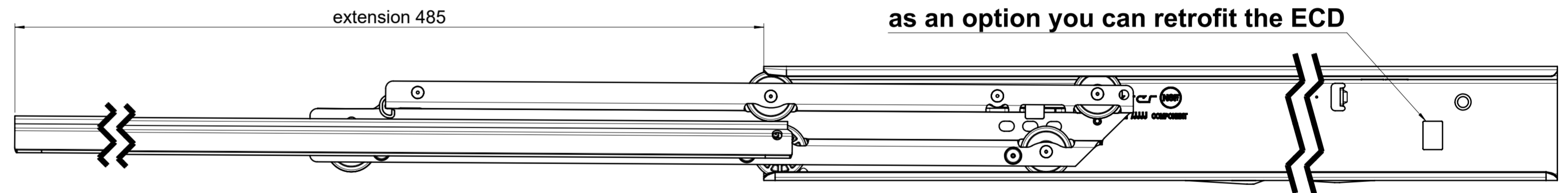
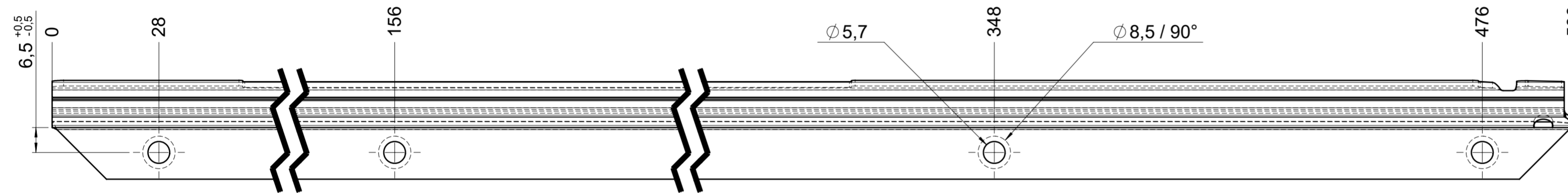
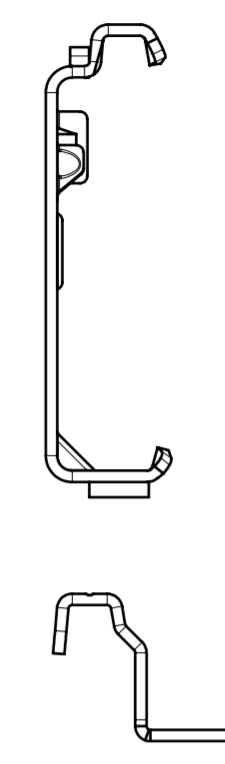
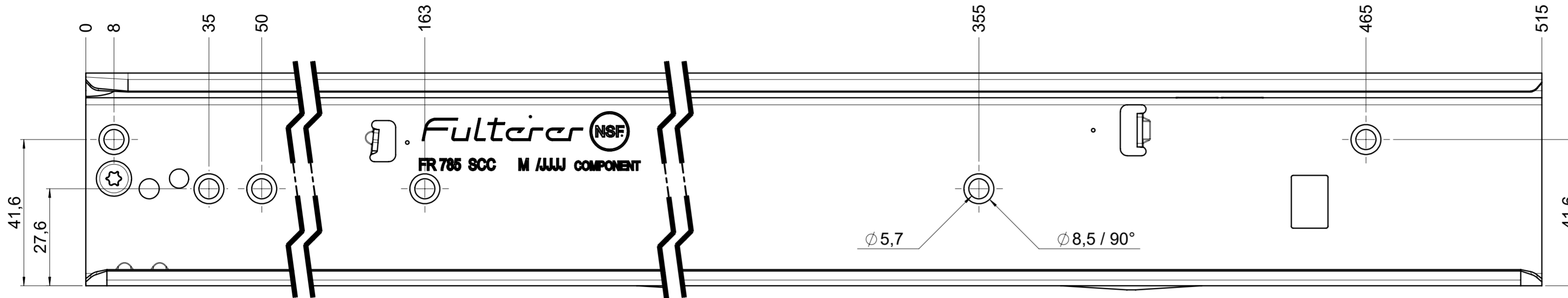


drawn left (right mirrorimage)



final approval

customer name:

signed by:

date:

all dimensions in mm

DIN ISO 128-30
missing dimensions see 3D
= theor. intersection

This drawing remains our property and may not be multiplied neither be disclosed to third parties (§§1,3 and 5 from the copyright Act (UrhG)) covered according to DIN ISO 16016				scale: 1:1	surface:	material, semi finished parts:	A2
(k)				date	name	CS	
(l)				drawn 17-01-2023	ex	(technical requirements Fulterer)	
(m)				proven 01-02-2023	pr	description:	
(n)						FR 786 / 50 CS EN (mm)	
(o)						progressive-action full-extension drawerslide / bottom mount	
(p)				Fulterer AG & Co KG A-6890 Lustenau / Austria		drawing number:	
(q)				Fulterer AG CH-9430 St. Margrethen		CS# 786.500-GA.L501	
(r)						replaces version date:	
(s)	changes	date	na.				