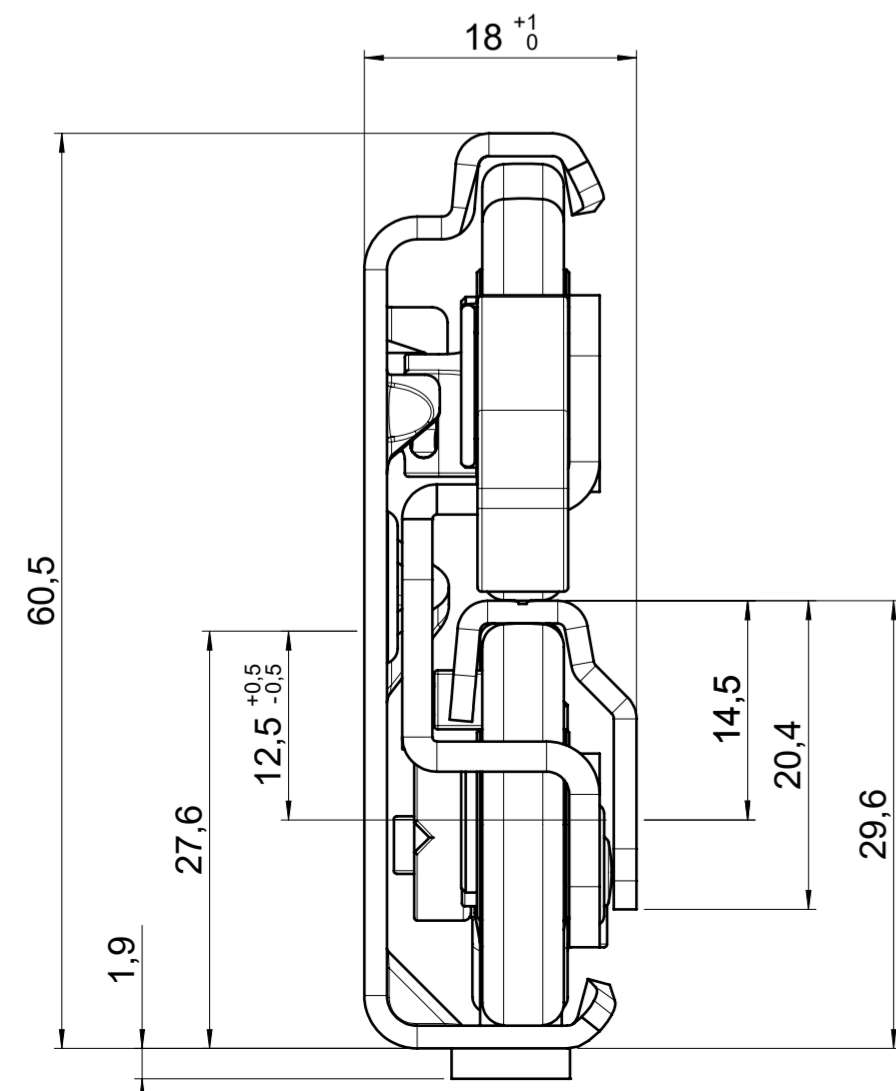
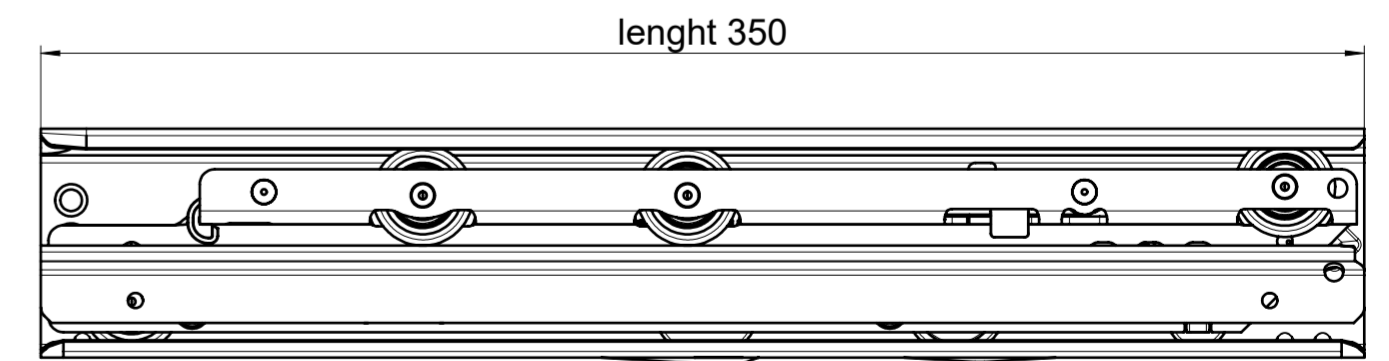
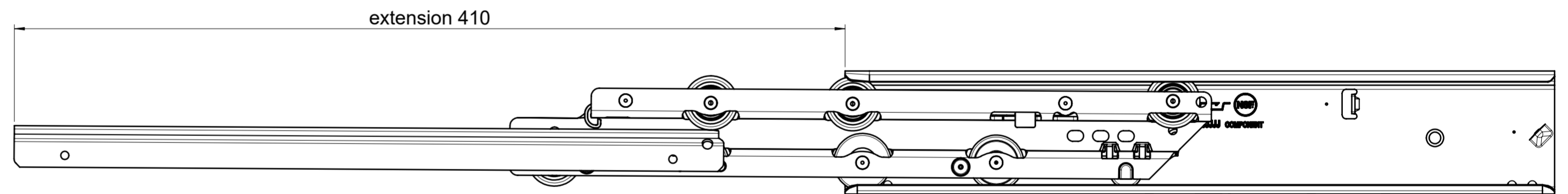
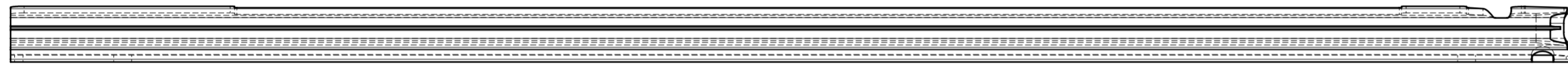
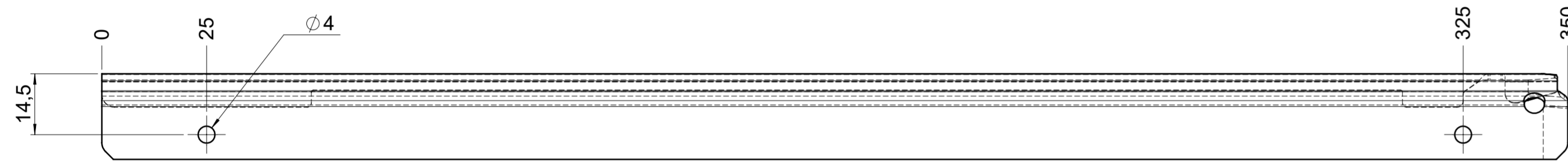
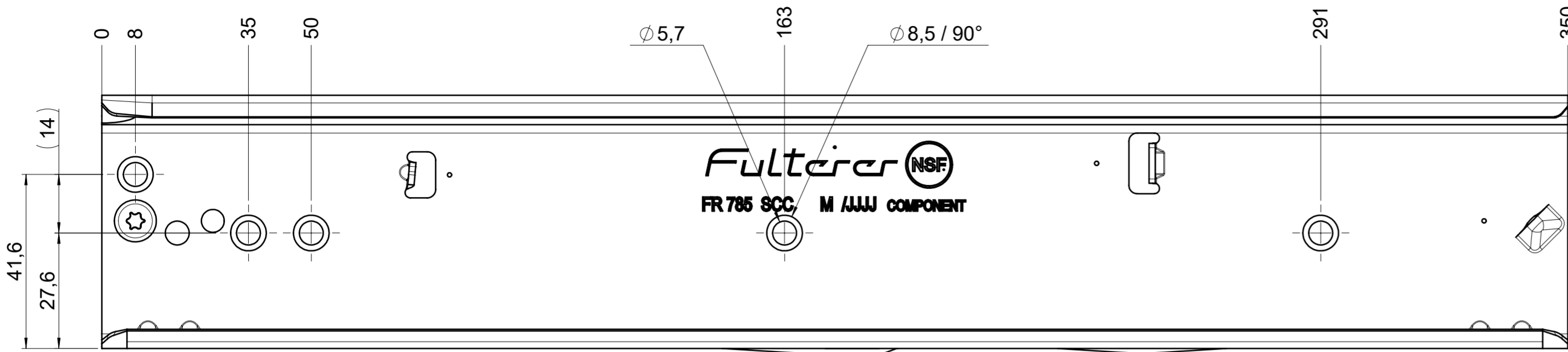


drawn left (right mirrorimage)



**version
"heat-resistant 110°C"**

final approval

customer name:

signed by:

date:

all dimensions in mm				DIN ISO 128-30 missing dimensions see 3D = theor. intersection	
This drawing remains our property and may not be multiplied neither be disclosed to third parties (§§1,3 and 5 from the copyright Act (UrhG)) covered according to DIN ISO 16016					
(k) (l) (i) (h) (g) (f) (e) (d) (c) (b) (a)	scale:	1:1	surface:	material, semi finished parts: CS (technical requirements Fulterer) A2	
	drawn	19-04-2023	name	description: FR 790 / 350 CS EN (mm) progressive-action over-extension drawerside / side mount	
	proven	19-04-2023	pr	drawing number: CS# 790.350-GA.054	
	Fulterer AG & Co KG A-6890 Lustenau / Austria Fulterer AG CH-9430 St. Margrethen			replaces version date:	
ind.	changes	date	na.		