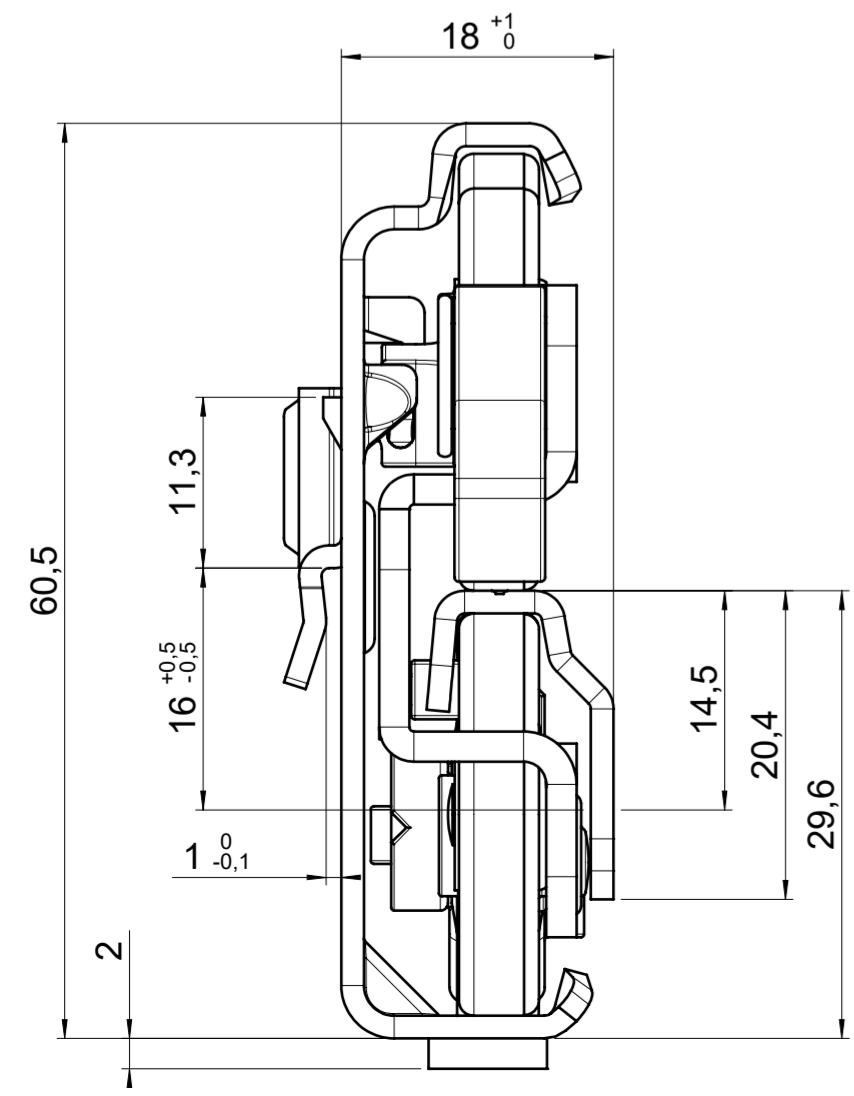
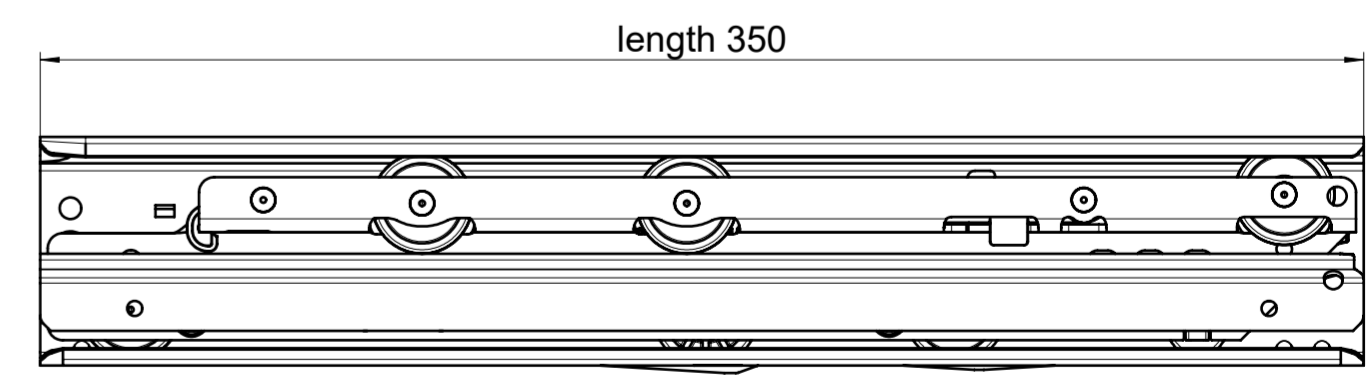
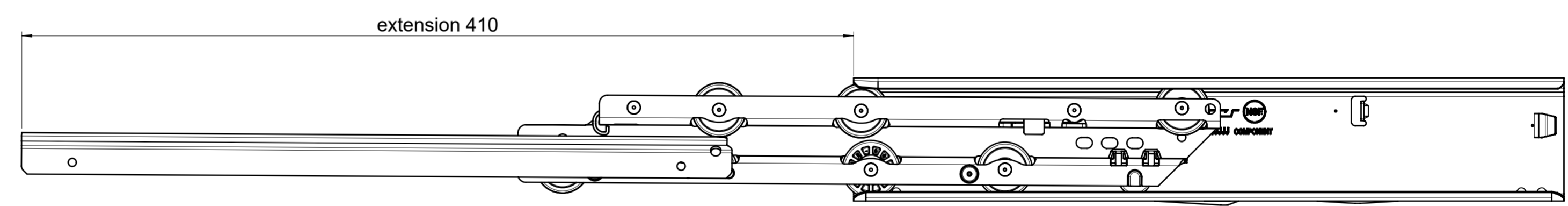
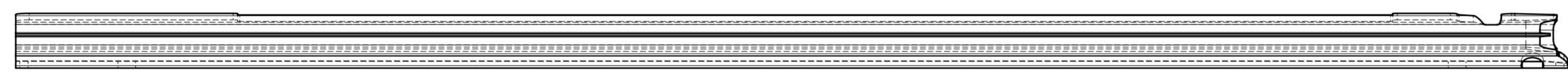
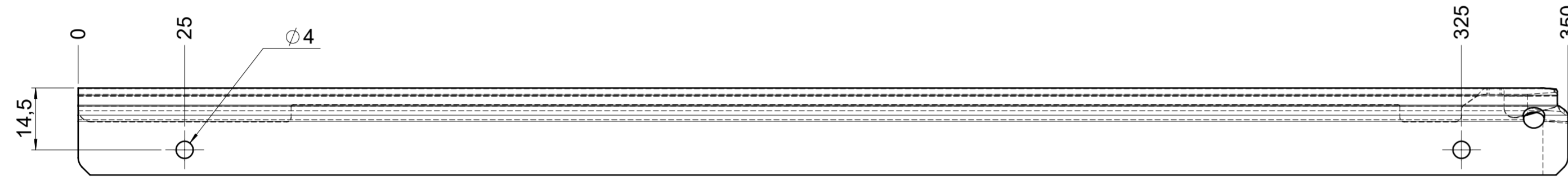
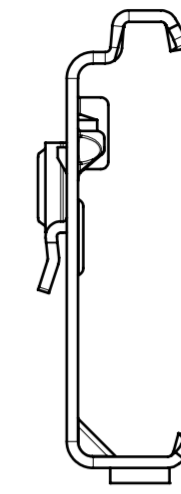
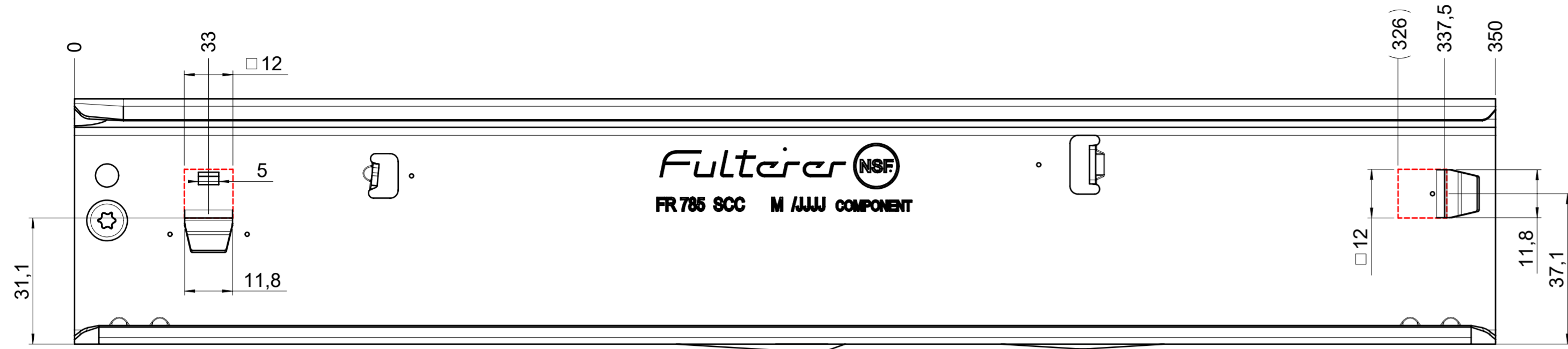


drawn left (right mirrorimage)



final approval

customer name:

signed by:

date:

all dimensions in mm				DIN ISO 128-30 missing dimensions see 3D = theor. intersection	
This drawing remains our property and may not be multiplied neither be disclosed to third parties (§§1,3 and 5 from the copyright Act (UrhG)) covered according to DIN ISO 16016					
scale: 1:1		surface:		material, semi finished parts: CS (technical requirements Fulterer)	
drawn 24-11-2022		date		description: FR 790 / 35 CS EN (mm) progressive-action over-extension drawerside / side mount	
proven 02-01-2023		name		drawing number: CS# 790.350-GA.L121	
Fulterer		Fulterer AG & Co KG A-6890 Lustenau / Austria		replaces version date:	
Fulterer AG CH-9430 St. Margrethen		ind.		changes	
date		na.			