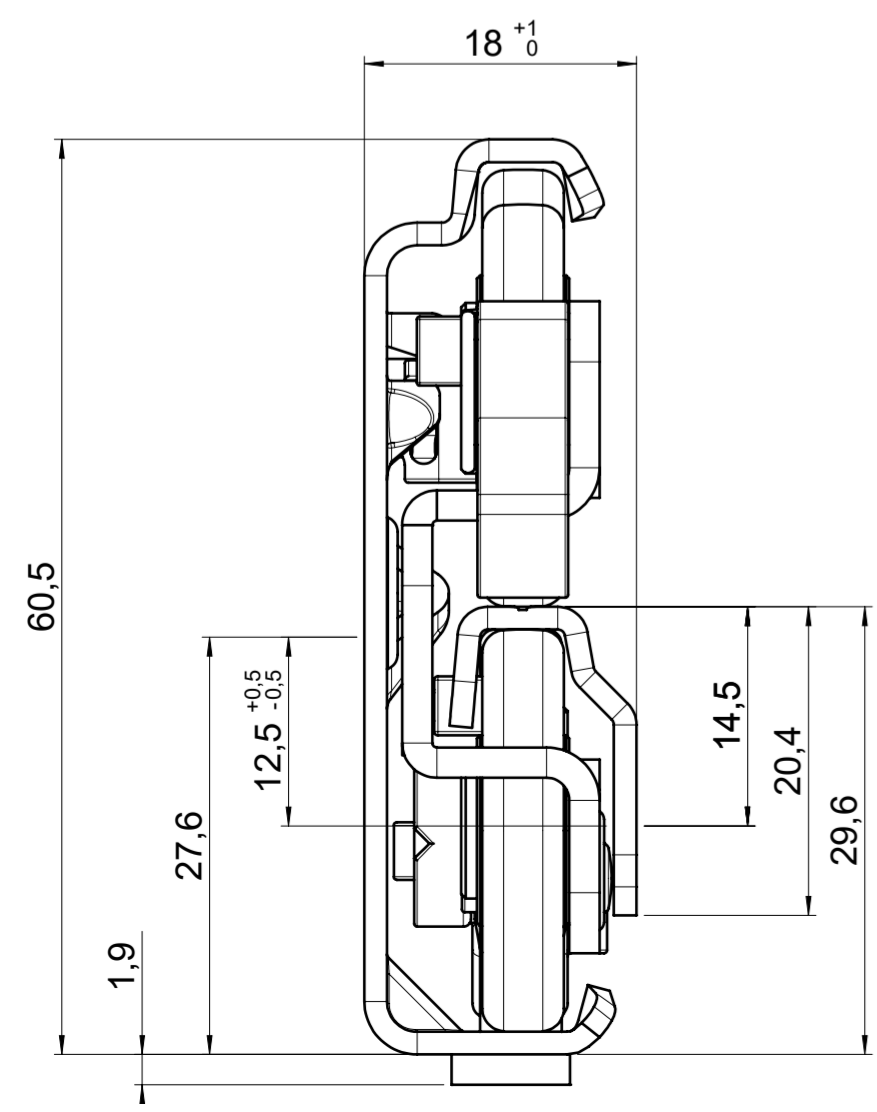
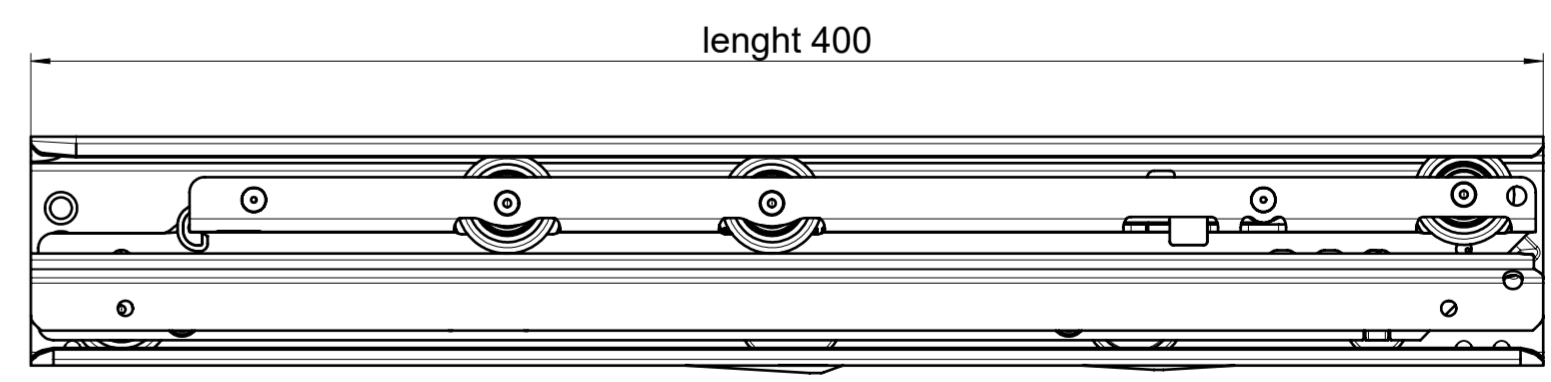
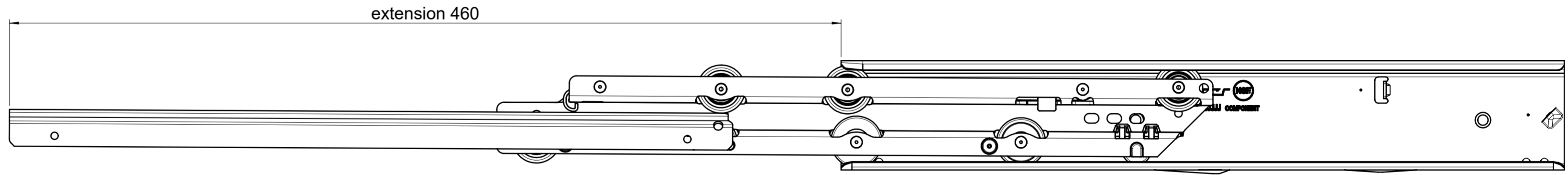
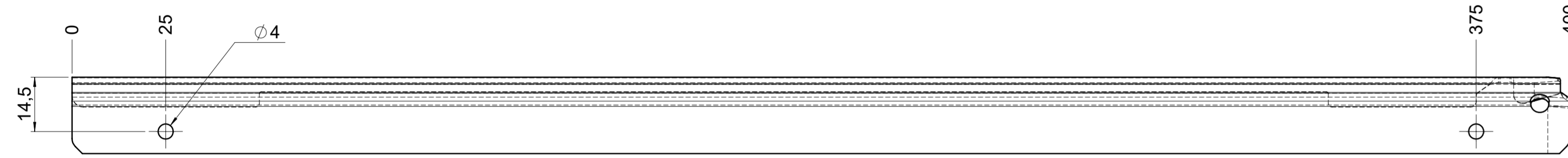
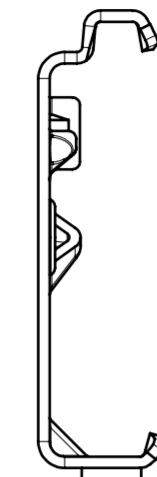
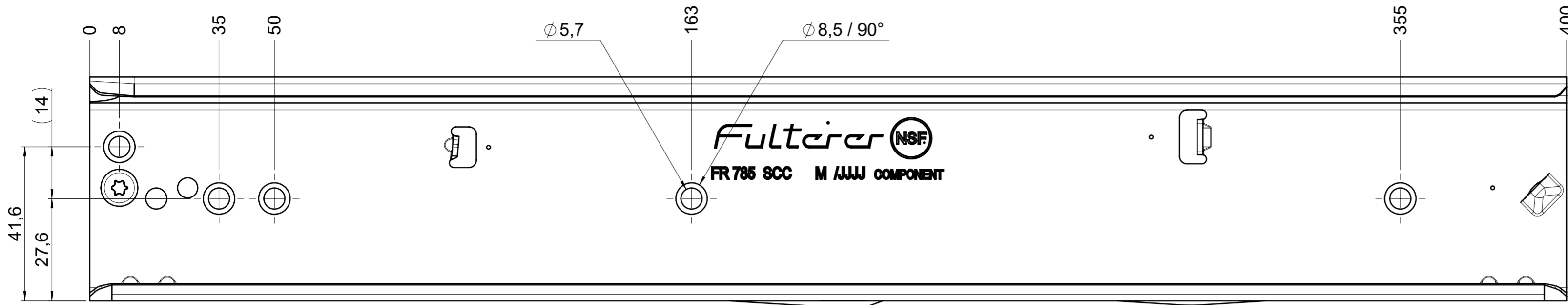


drawn left (right mirrorimage)



**version
"heat-resistant 110°C"**

final approval
customer name:
signed by:
date:

all dimensions in mm				DIN ISO 128-30 missing dimensions see 3D = theor. intersection	
This drawing remains our property and may not be multiplied neither be disclosed to third parties (§§1,3 and 5 from the copyright Act (UrhG)) covered according to DIN ISO 16016					
(k) (l) (i) (h) (g) (f) (e) (d) (c) (b) (a)	scale:	1:1	surface:	material, semi finished parts: CS (technical requirements Fulterer) A2	
	drawn:	19-04-2023	name:	description: FR 790 / 400 CS EN (mm) progressive-action over-extension drawerslide / side mount	
	proven:	19-04-2023	pr:	drawing number: CS# 790.400-GA.054 replaces version date:	
Fulterer Fulterer AG & Co KG A-6890 Lustenau / Austria Fulterer AG CH-9430 St. Margrethen			Donnerstag, 20. April 2023 14:09:12 rene.pasler		