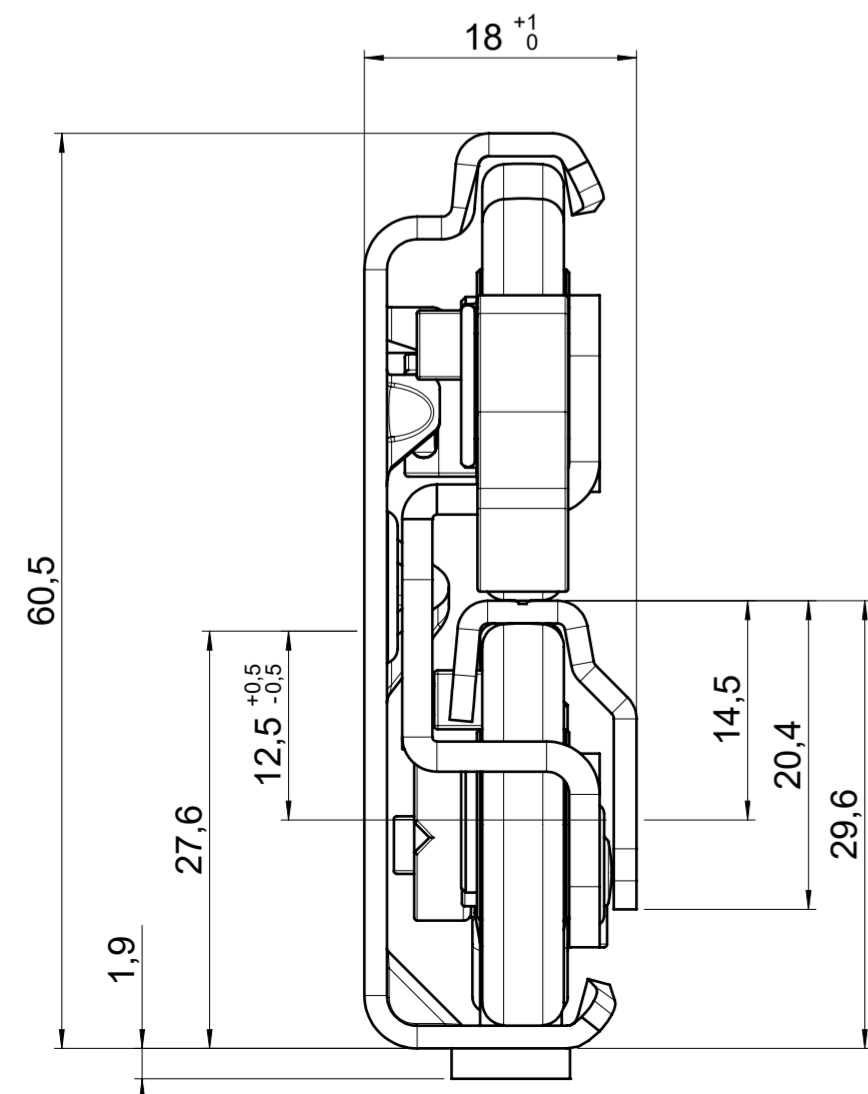
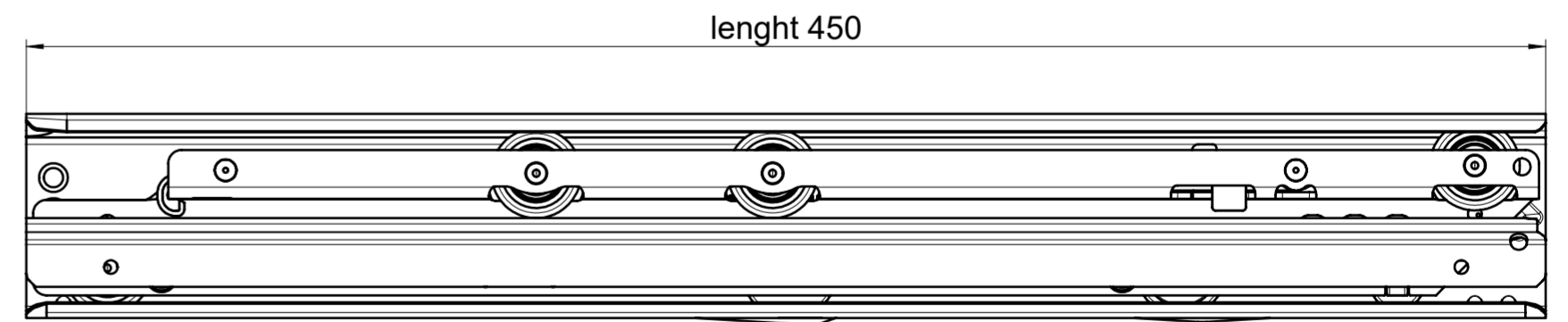
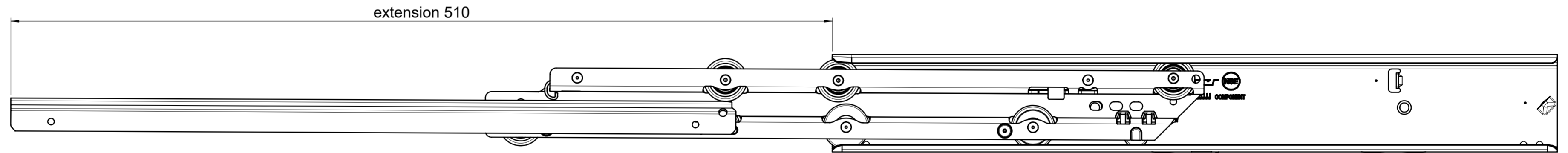
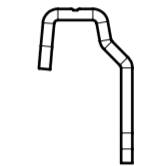
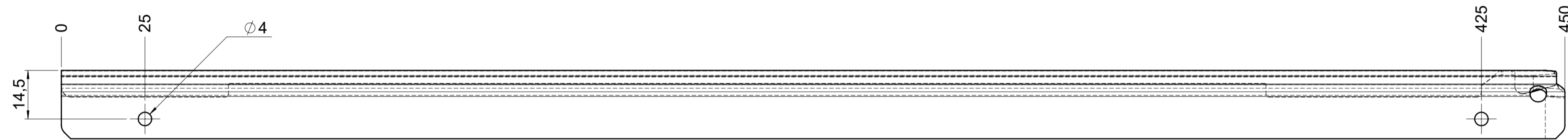
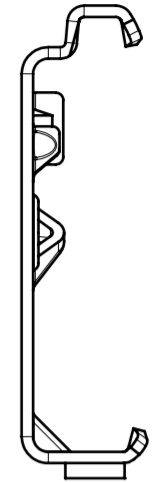
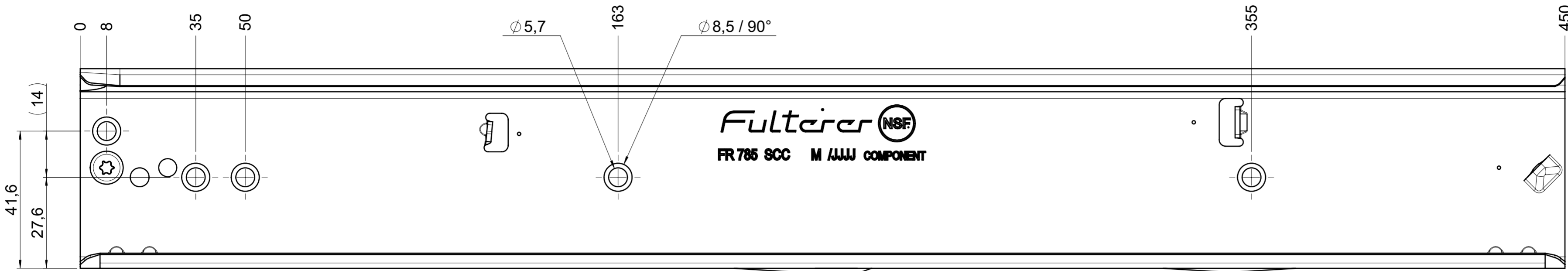


drawn left (right mirrorimage)



**version
"heat-resistant 110°C"**

final approval

customer name:

signed by:

date:

all dimensions in mm

DIN ISO 128-30
missing dimensions see 3D
 = theor. intersection

This drawing remains our property and may not be multiplied neither be disclosed to third parties (§§1,3 and 5 from the copyright Act (UrhG)) covered according to DIN ISO 16016				scale: 1:1	surface:	material, semi finished parts: CS (technical requirements Fulterer)
(k)				date	name	description: FR 790 / 450 CS EN (mm) progressive-action over-extension drawerslide / side mount
(l)				drawn 19-04-2023	FM	
(m)				proven 19-04-2023	pr	
(n)						drawing number: CS# 790.450-GA.054
(o)						
(p)				Fulterer AG CH-9430 St. Margrethen		replaces version date:
(q)	changes	date	na.			