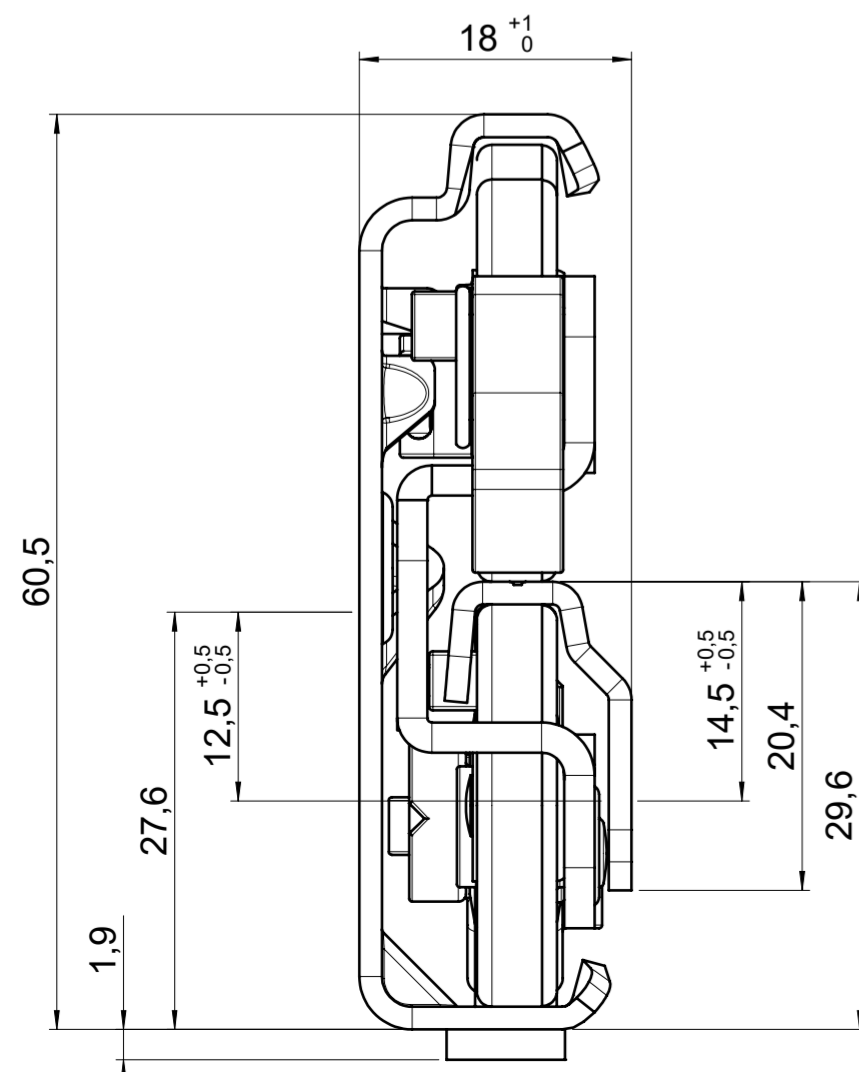
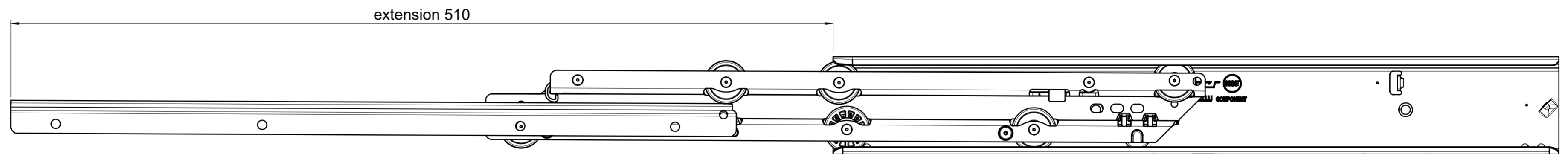
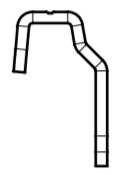
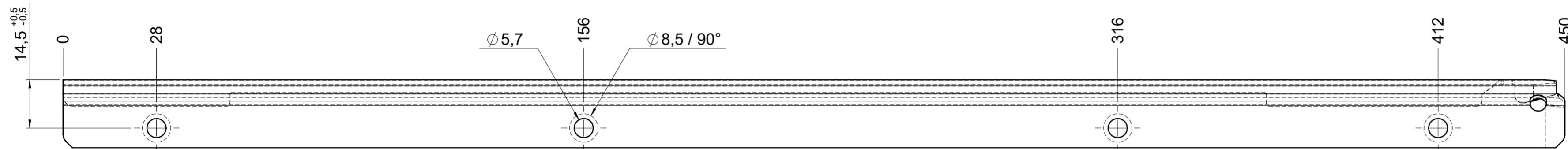
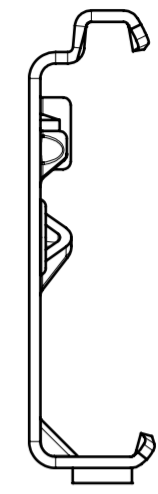
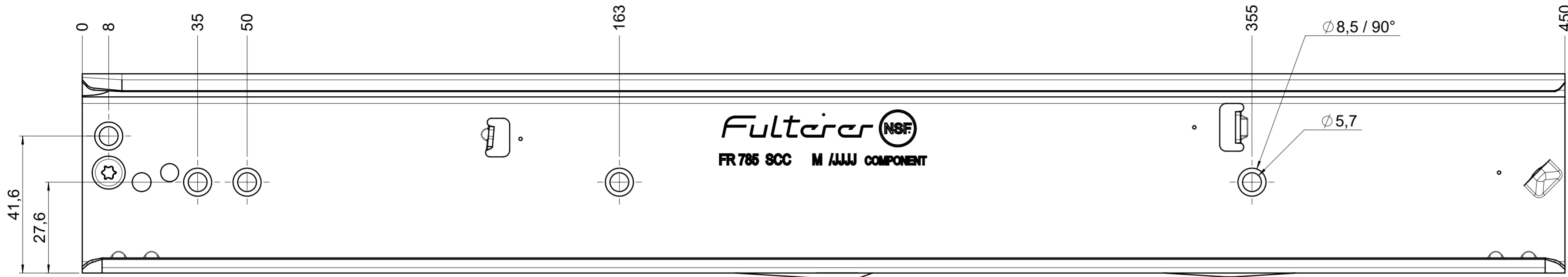


drawn left (right mirrorimage)



final approval

customer name:

signed by:

date:

all dimensions in mm

DIN ISO 128-30
missing dimensions see 3D
 = theor. intersection

This drawing remains our property and may not be multiplied neither be disclosed to third parties (§§1,3 and 5 from the copyright Act (UrhG)) covered according to DIN ISO 16016				scale: 1:1	surface:	material, semi finished parts: CS (technical requirements Fulterer)	A2
(k)				date	name	description: FR 790 / 45 CS EN (mm) progressive-action over-extension drawerslide / side mount	drawing number: CS# 790.450-GA.L103 replaces version date:
(l)				drawn 20-04-2023	FM		
(h)				proven 20-04-2023	pr		
(g)						Fulterer AG & Co KG A-6890 Lustenau / Austria Fulterer AG CH-9430 St. Margrethen	
(f)							
(e)							
(d)							
(c)							
(b)							
(a)							
ind.	changes		date	na.			