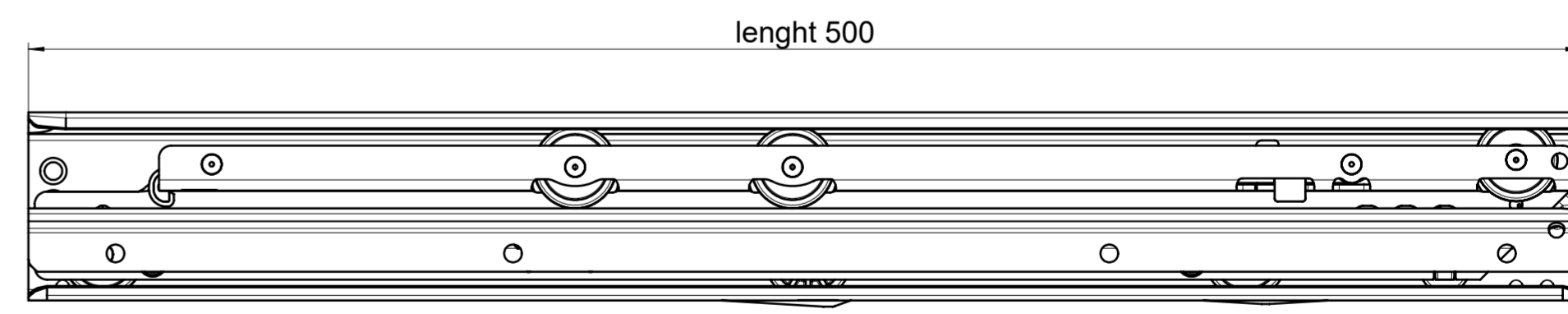
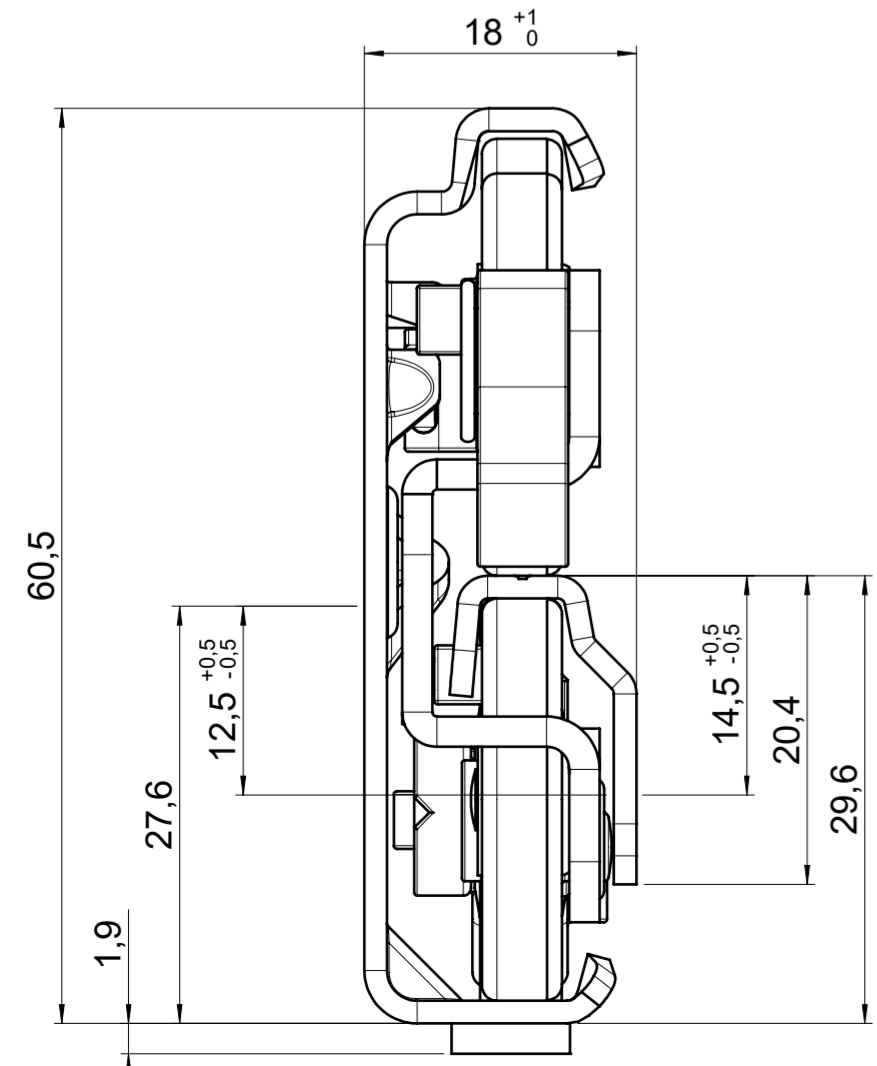
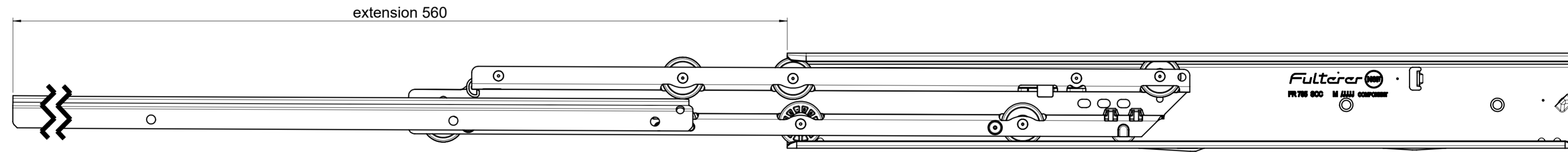
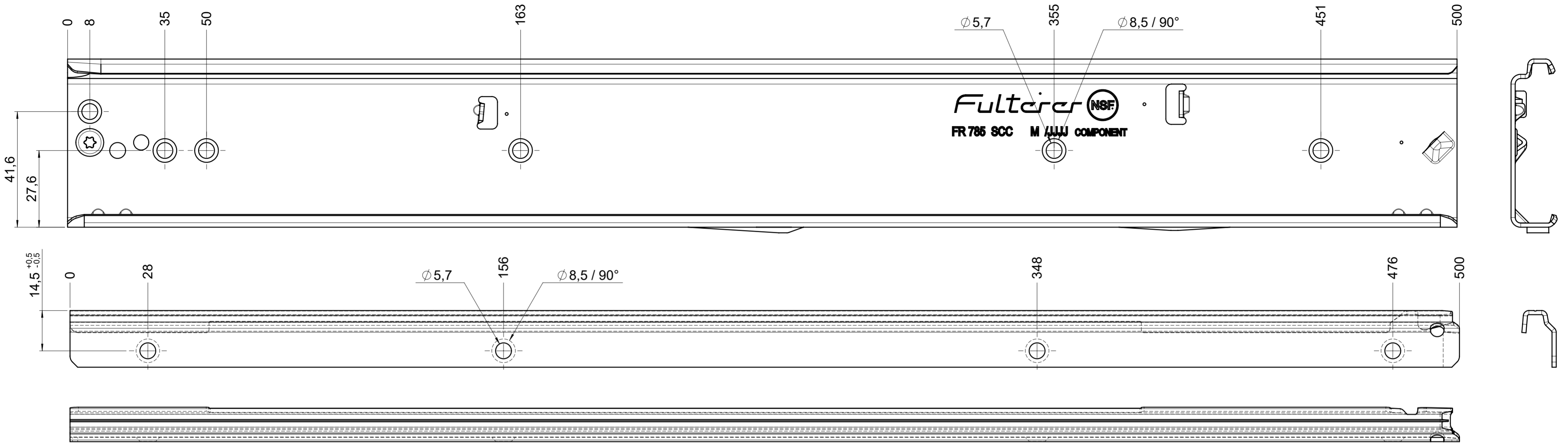


CS# 790.500-GA.L103

drawn left (right mirrorimage)



final approval

customer name:

signed by:

date:

all dimensions in mm				DIN ISO 128-30 missing dimensions see 3D ⊕ = theor. intersection	
This drawing remains our property and may not be multiplied neither be disclosed to third parties (§§1,3 and 5 from the copyright Act (UrhG)) covered according to DIN ISO 16016					
scale: 1:1		surface:		material, semi finished parts: CS (technical requirements Fulterer) A2	
drawn 20-04-2023		date 20-04-2023		name FM	
proven 20-04-2023		date 20-04-2023		name pr	
				description: FR 790 / 50 CS EN (mm) progressive-action over-extension drawerslide / side mount	
Fulterer AG & Co KG A-6890 Lustenau / Austria Fulterer AG CH-9430 St. Margrethen				drawing number: CS# 790.500-GA.L103	
ind. changes				date na.	
replaces version date:					