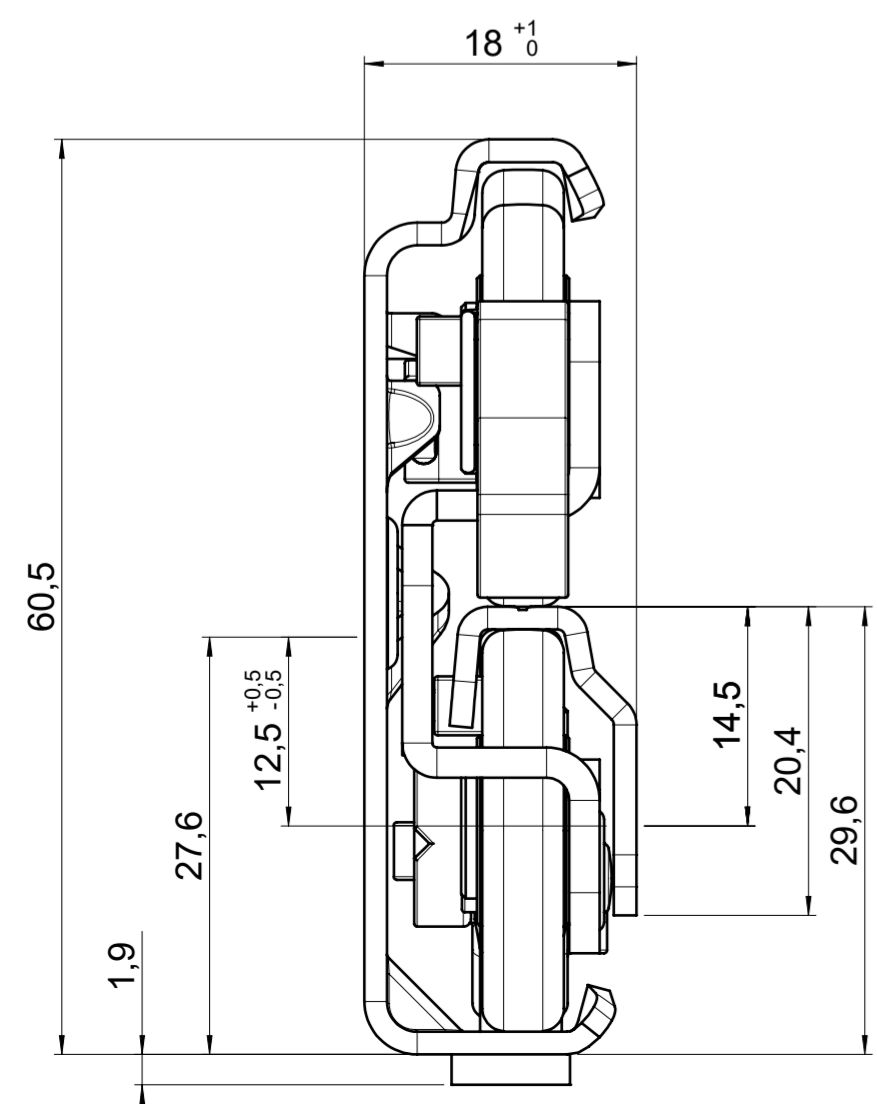
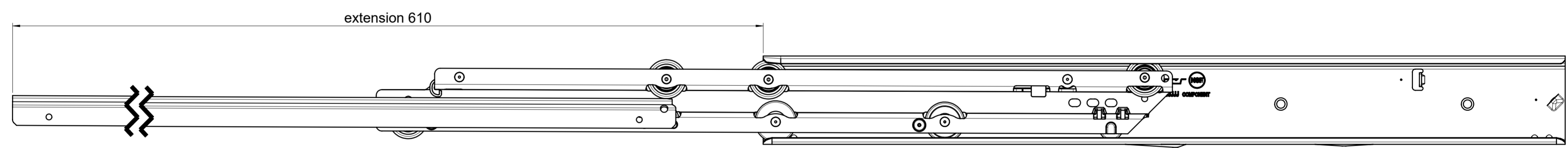
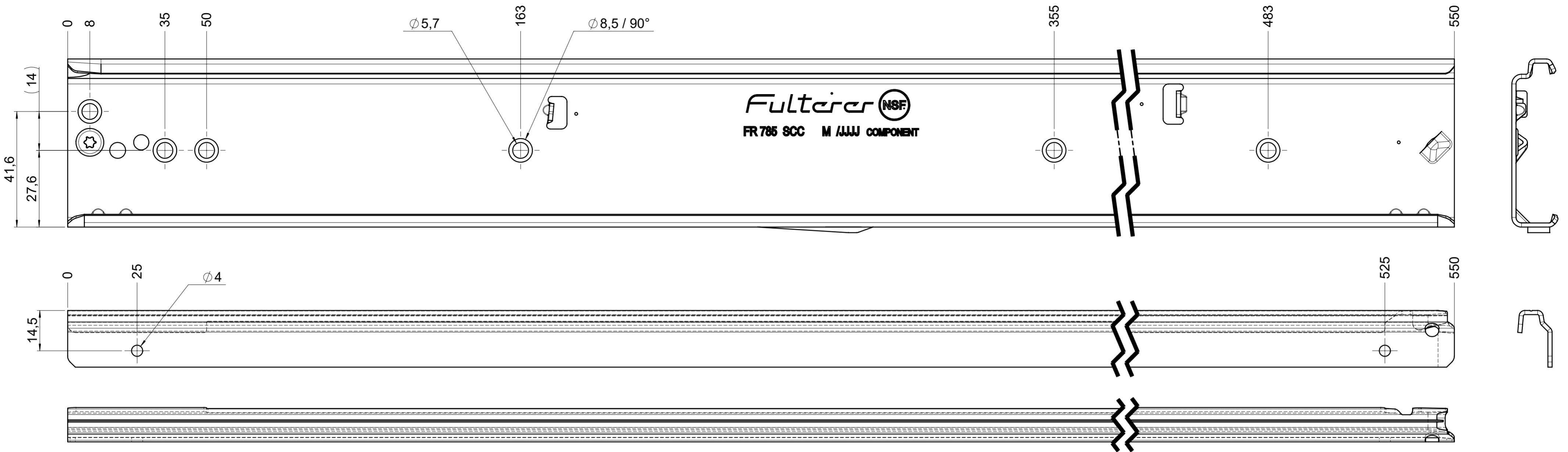


drawn left (right mirrorimage)



**version
"heat-resistant 110°C"**

final approval
customer name:
signed by:
date:

| all dimensions in mm | | | | DIN ISO 128-30 missing dimensions see 3D = theor. intersection | |
|--|--|-----------------|--|--|--|
| This drawing remains our property and may not be multiplied neither be disclosed to third parties (§§1,3 and 5 from the copyright Act (UrhG)) covered according to DIN ISO 16016 | | | | | |
| scale: 1:1 | | surface: | | material, semi finished parts: CS (technical requirements Fulterer) | |
| drawn 19-04-2023 | | date 19-04-2023 | | name FM | |
| proven 19-04-2023 | | date 19-04-2023 | | name pr | |
| | | | | description: FR 790 / 550 CS EN (mm) progressive-action over-extension drawerside / side mount | |
| Fulterer AG & Co KG A-6890 Lustenau / Austria Fulterer AG CH-9430 St. Margrethen | | | | drawing number: CS# 790.550-GA.054 | |
| ind. changes | | | | date na. | |
| replaces version date: | | | | | |