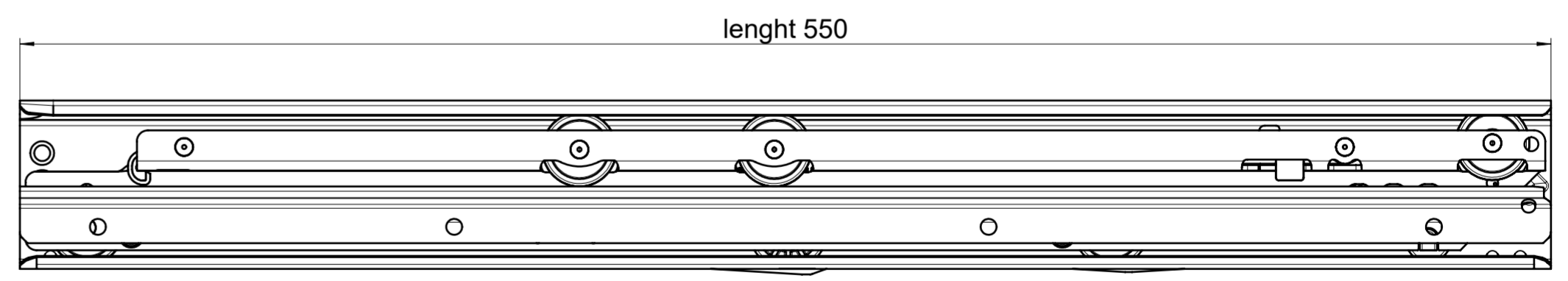
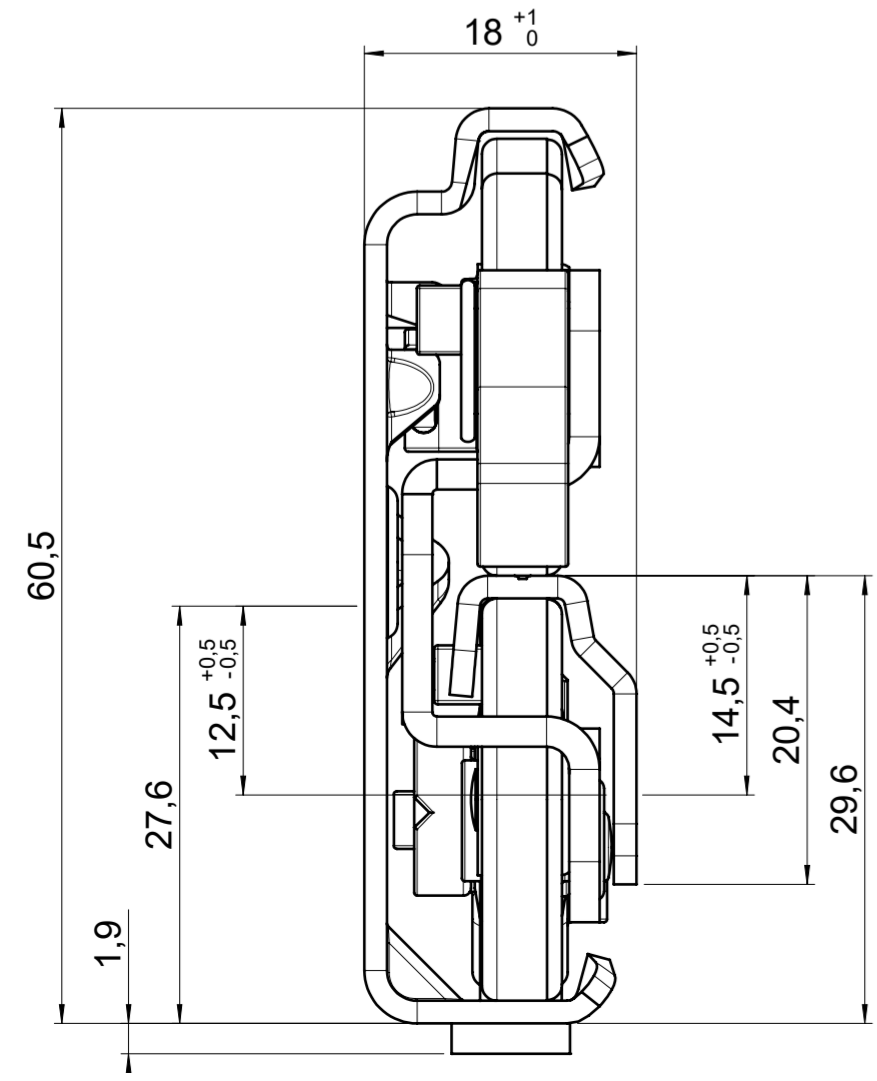
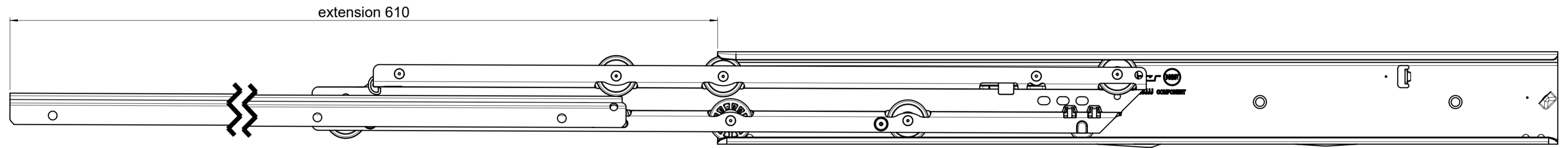
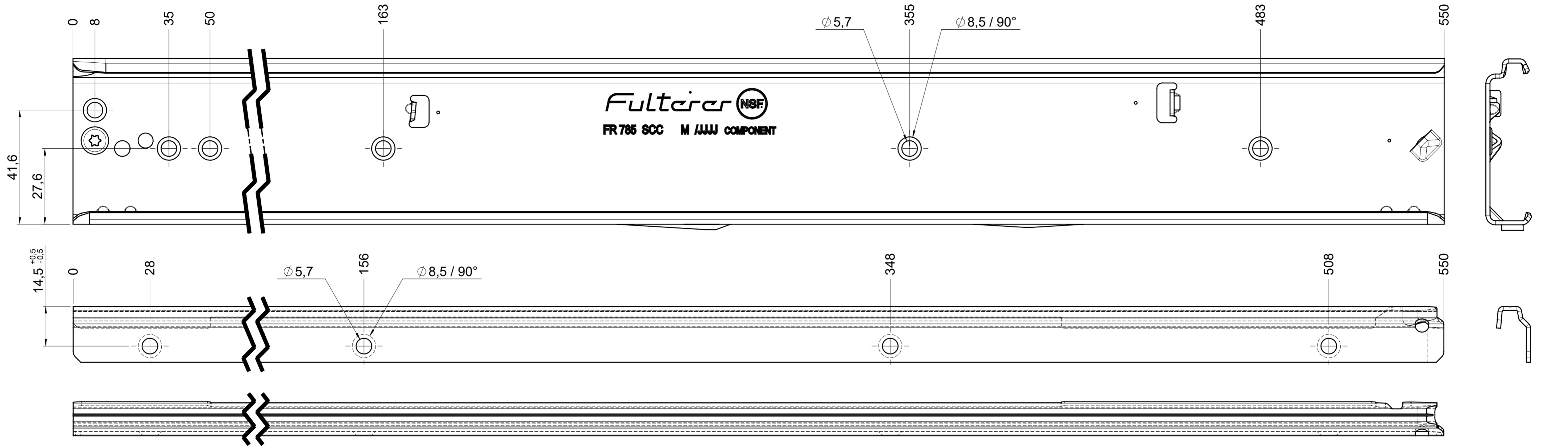


drawn left (right mirrorimage)



final approval

customer name:

signed by:

date:

all dimensions in mm				DIN ISO 128-30 missing dimensions see 3D = theor. intersection	
This drawing remains our property and may not be multiplied neither be disclosed to third parties (§§1,3 and 5 from the copyright Act (UrhG)) covered according to DIN ISO 16016					
scale: 1:1		surface:		material, semi finished parts: CS (technical requirements Fulterer)	
drawn: 20-04-2023	date: 20-04-2023	name: FM	description: FR 790 / 55 CS EN (mm) progressive-action over-extension drawerside / side mount		
proven: 20-04-2023	pr:	Fulterer		drawing number: CS# 790.550-GA.L103	
Fulterer AG & Co KG A-6890 Lustenau / Austria Fulterer AG CH-9430 St. Margrethen			replaces version date:		
ind.	changes	date	na.		