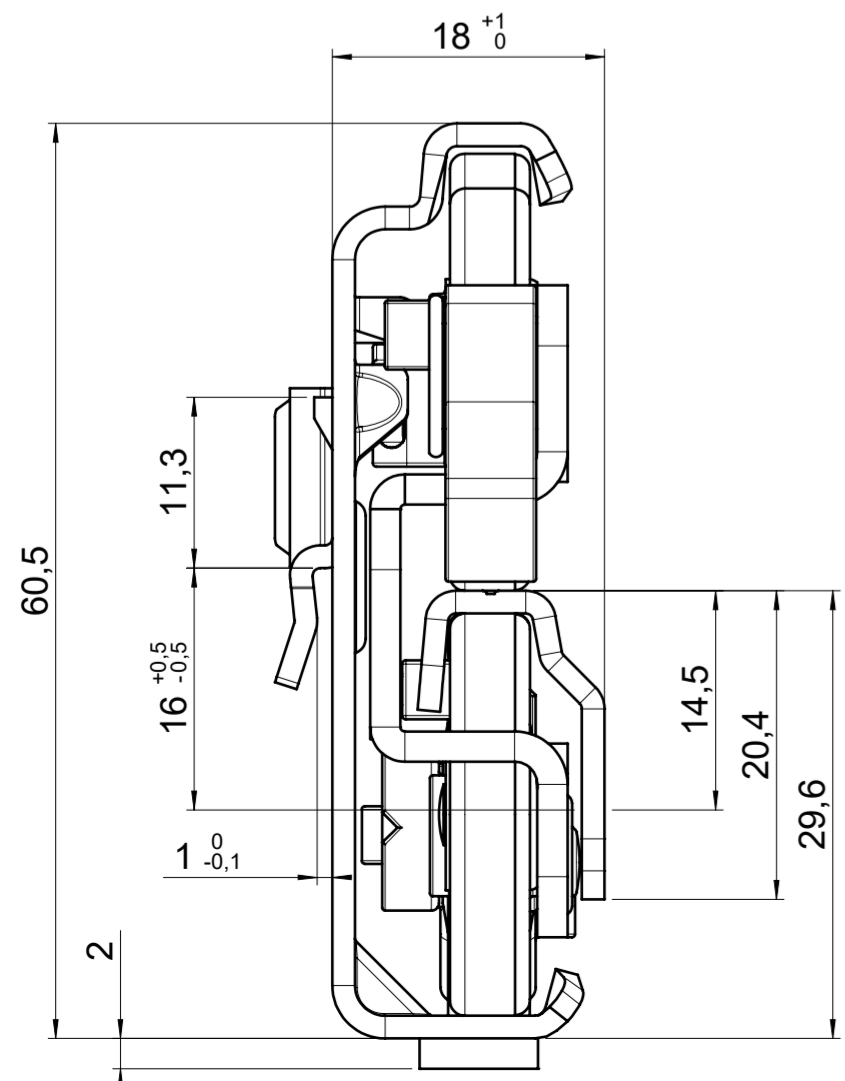
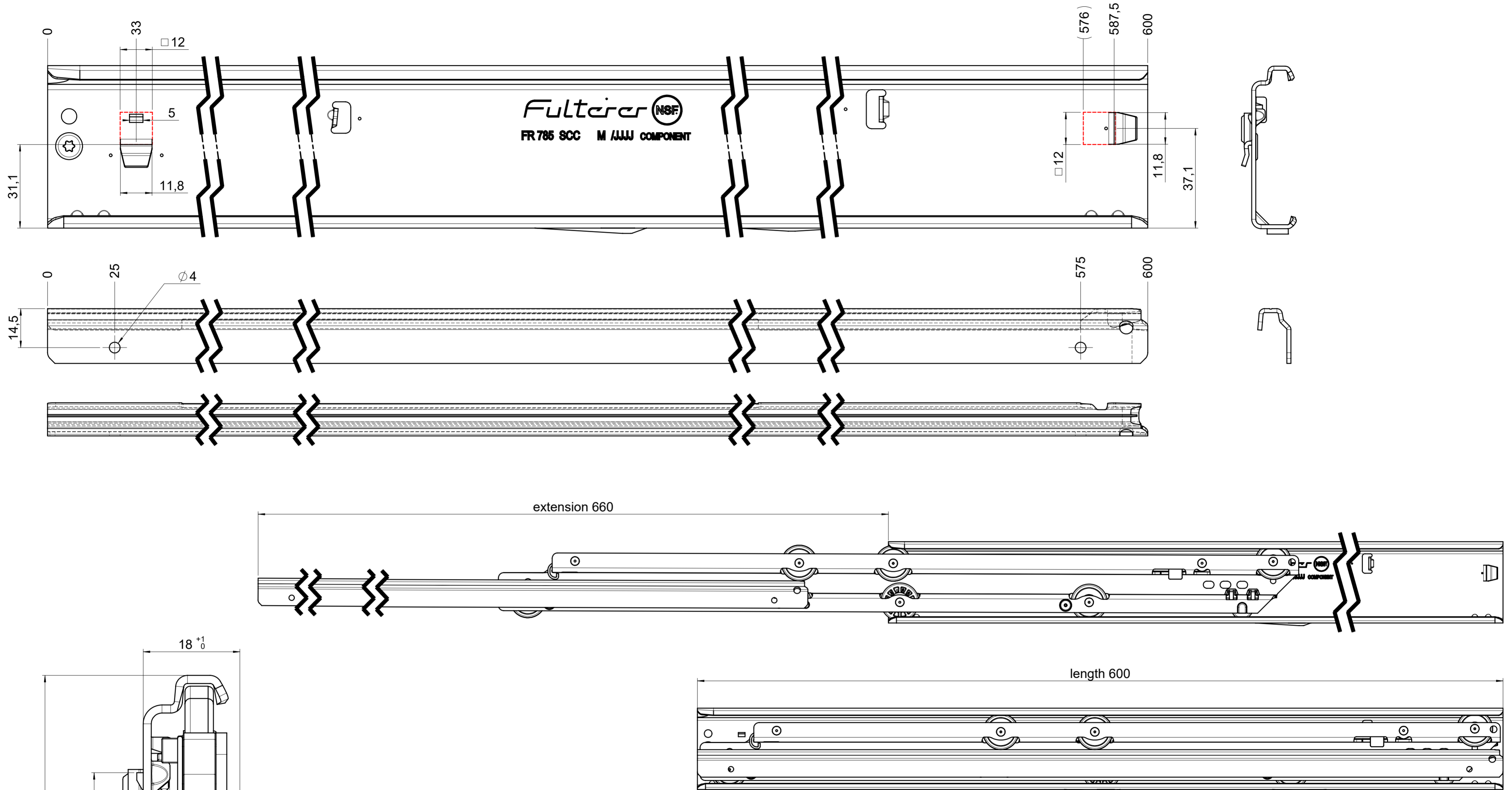


drawn left (right mirrorimage)



**final approval**

customer name:

signed by:

date:

all dimensions in mm				DIN ISO 128-30 missing dimensions see 3D = theor. intersection	
This drawing remains our property and may not be multiplied neither be disclosed to third parties (§§1,3 and 5 from the copyright Act (UrhG)) covered according to DIN ISO 16016					
scale: 1:1		surface:		material, semi finished parts: CS (technical requirements Fulterer)	
drawn	date	name	ex	description: FR 790 / 60 CS EN (mm) progressive-action over-extension drawerslide / side mount	
proven	02-01-2023	pr		drawing number: CS# 790.600-GA.L121	
				replaces version date:	
<b>Fulterer AG &amp; Co KG</b> A-6890 Lustenau / Austria <b>Fulterer AG</b> CH-9430 St. Margrethen					
ind.	changes	date	na.		