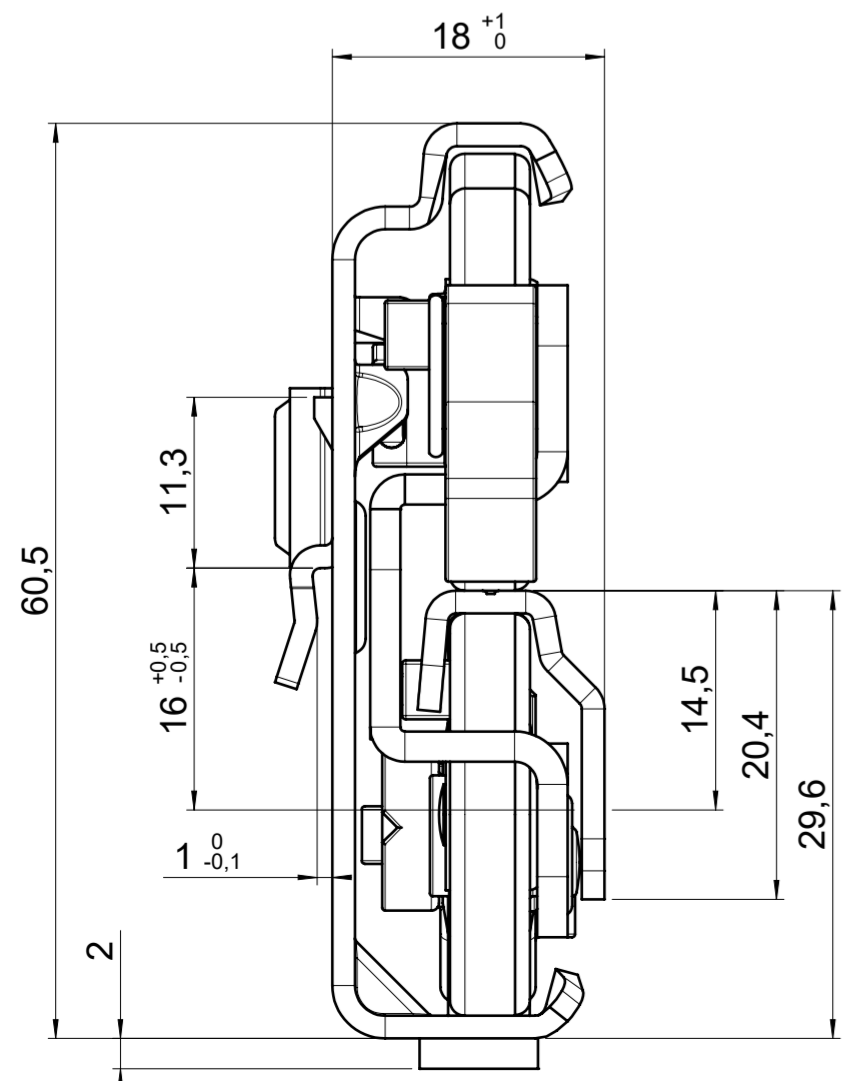
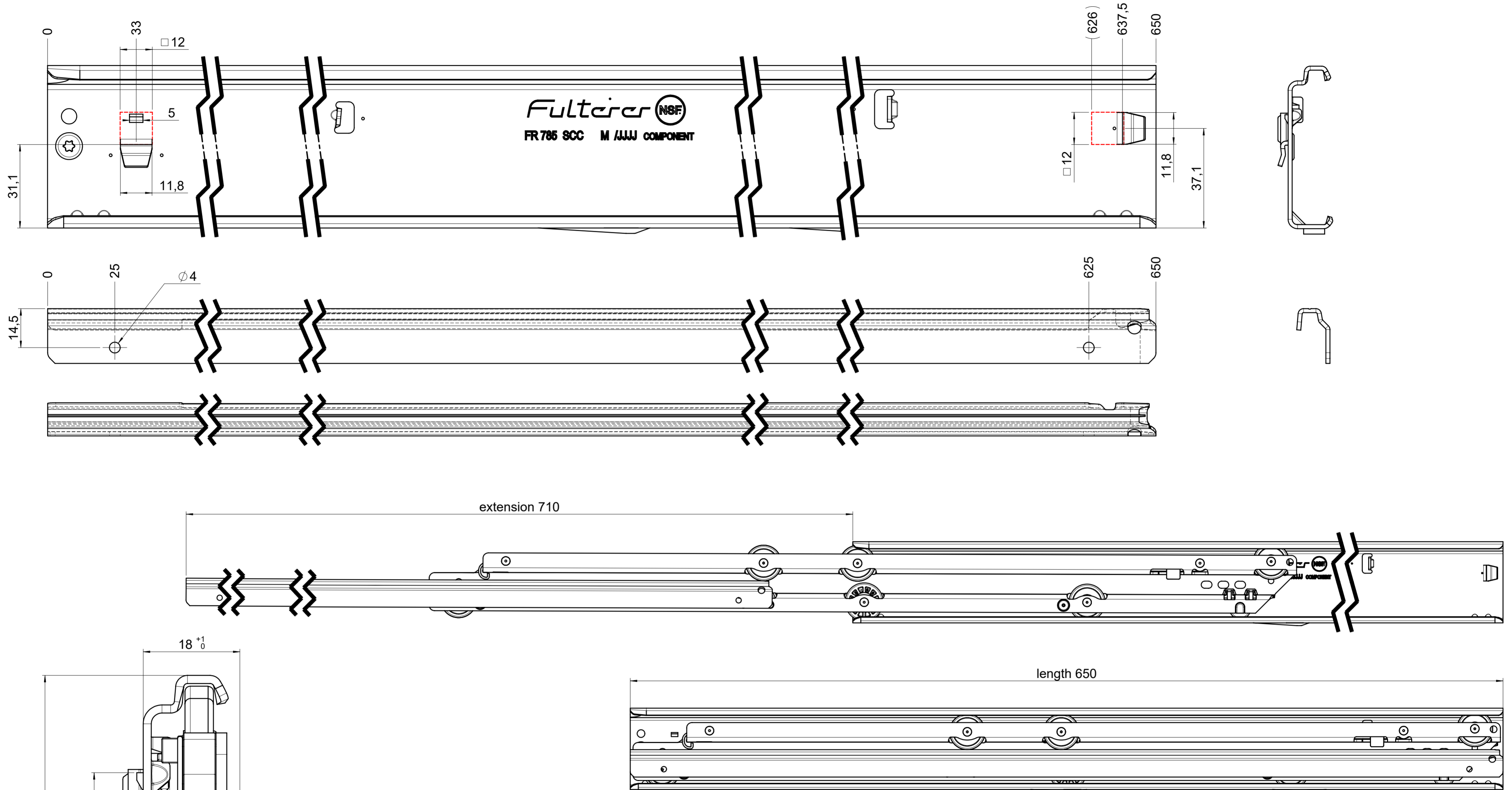


drawn left (right mirrorimage)



final approval

customer name:

signed by:

date:

| all dimensions in mm | | | | DIN ISO 128-30 missing dimensions see 3D = theor. intersection | |
|--|--|-----------------|--|--|--|
| This drawing remains our property and may not be multiplied neither be disclosed to third parties (§§1,3 and 5 from the copyright Act (UrhG)) covered according to DIN ISO 16016 | | | | | |
| scale: 1:1 | | surface: | | material, semi finished parts: CS (technical requirements Fulterer) | |
| drawn 24-11-2022 | | date 02-01-2023 | | description: FR 790 / 65 CS EN (mm) progressive-action over-extension drawerslide / side mount | |
| proven 02-01-2023 | | name ex pr | | drawing number: CS# 790.650-GA.L121 | |
| changes | | date | | replaces version date: | |
| na. | | na. | | na. | |