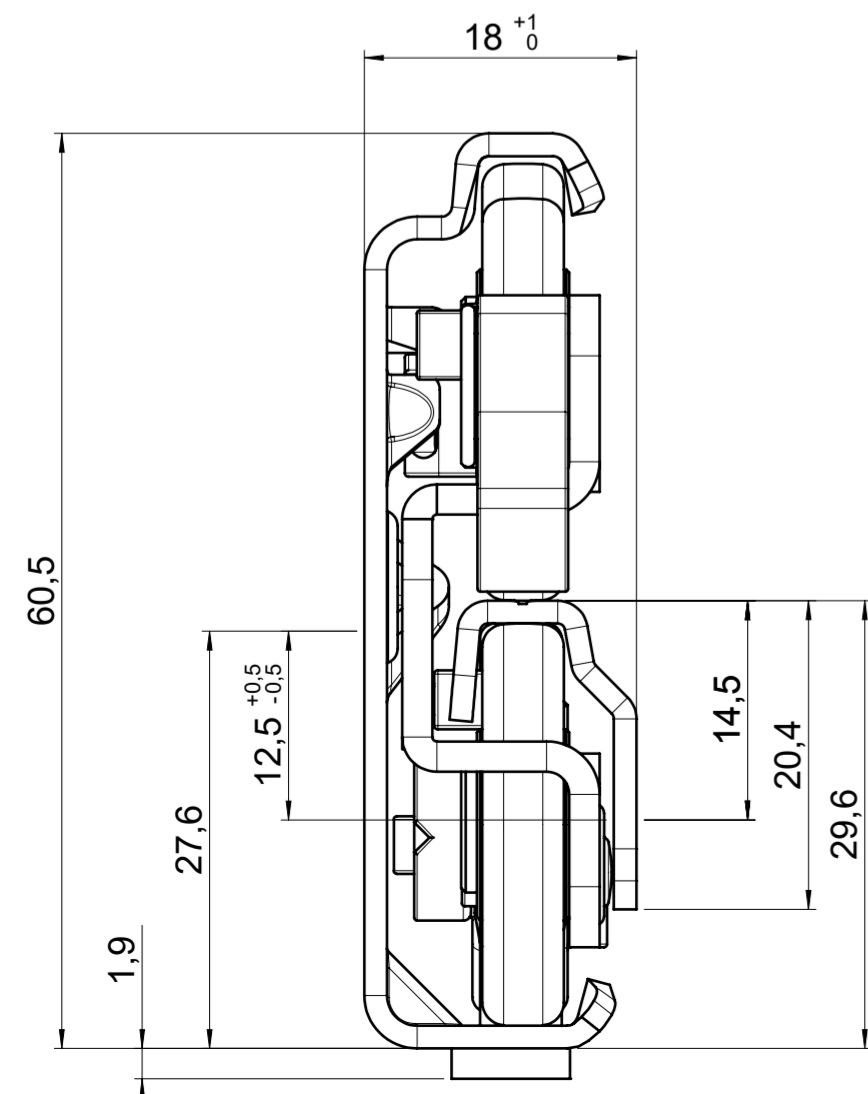
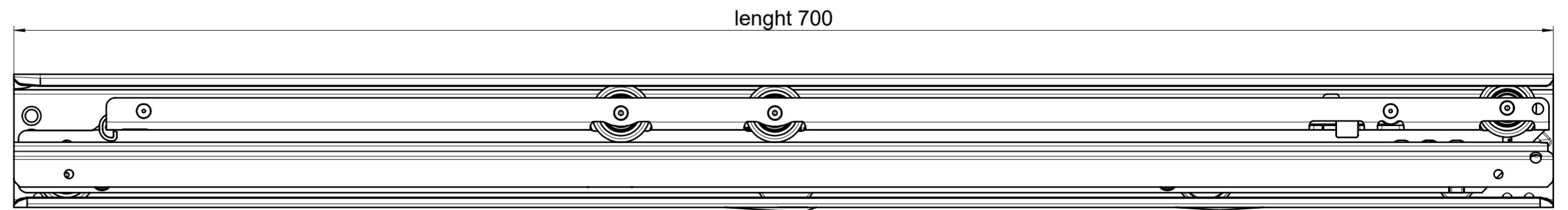
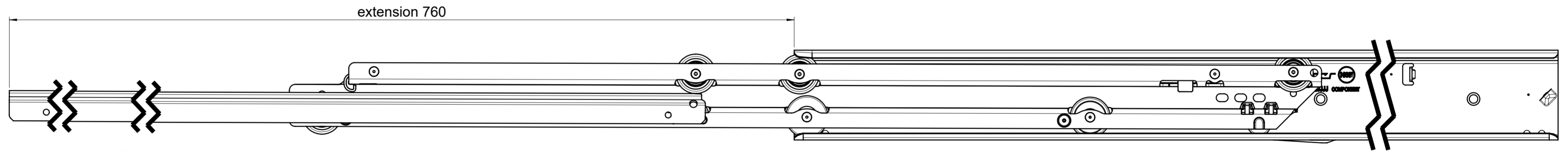
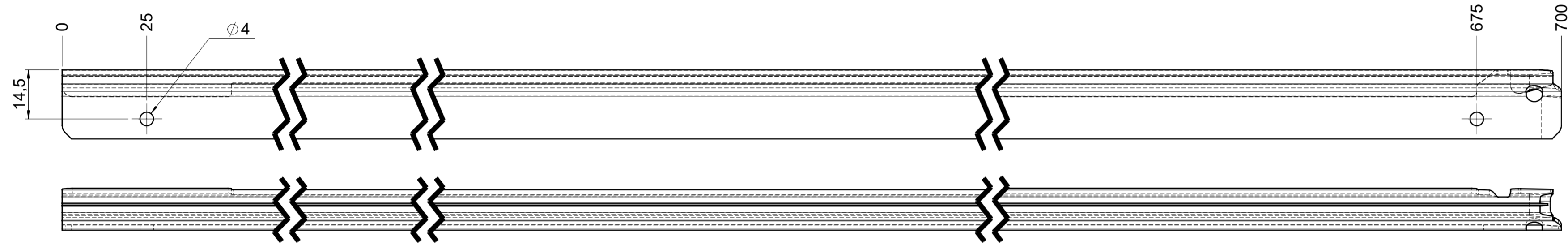
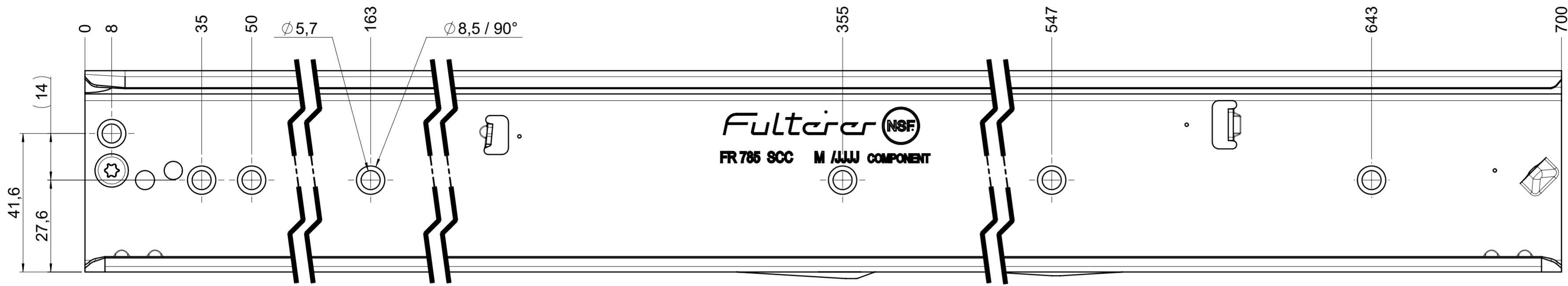


drawn left (right mirrorimage)



**version
"heat-resistant 110°C"**

final approval

customer name:

signed by:

date:

all dimensions in mm

DIN ISO 128-30
missing dimensions see 3D
 = theor. intersection

This drawing remains our property and may not be multiplied neither be disclosed to third parties (§§1,3 and 5 from the copyright Act (UrhG)) covered according to DIN ISO 16016

(k) (l) (m) (n) (o) (p) (q) (r) (s) (t) (u) (v) (w) (x) (y) (z)	scale:	1:1	surface:	material, semi finished parts:	A2
	drawn	19-04-2023	name	CS	(technical requirements Fulterer)
	proven	19-04-2023	pr	description:	
					FR 790 / 700 CS EN (mm) progressive-action over-extension drawerslide / side mount
Fulterer AG & Co KG A-6890 Lustenau / Austria Fulterer AG CH-9430 St. Margrethen				drawing number:	CS# 790.700-GA.054
changes date na.				replaces version date:	