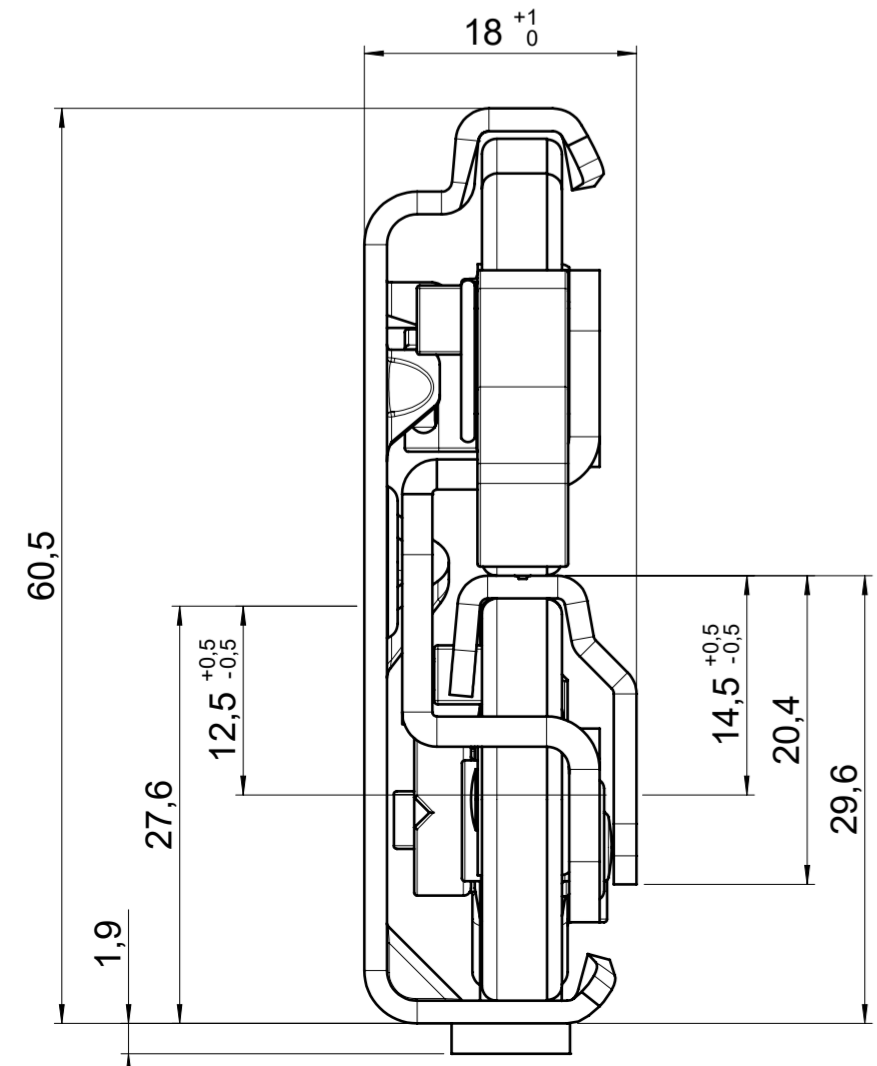
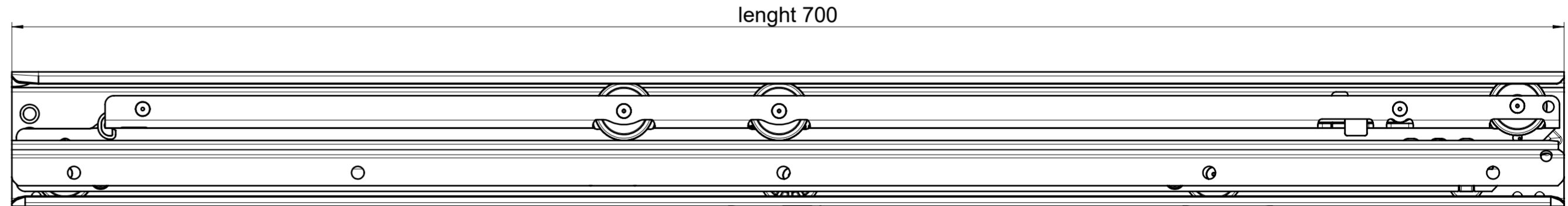
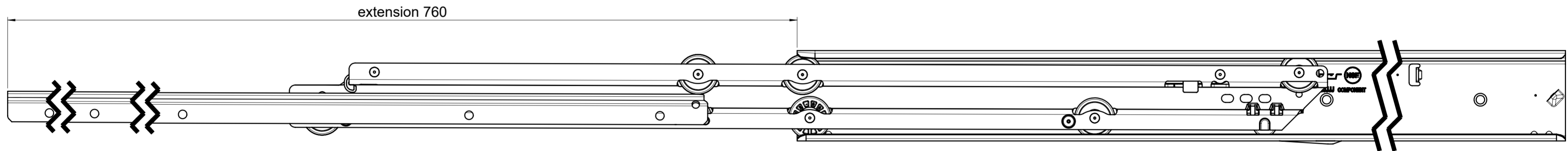
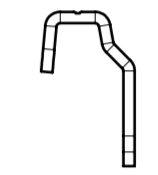
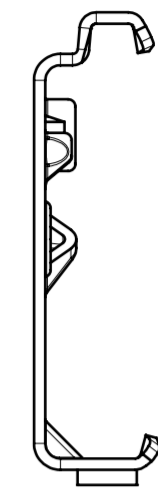
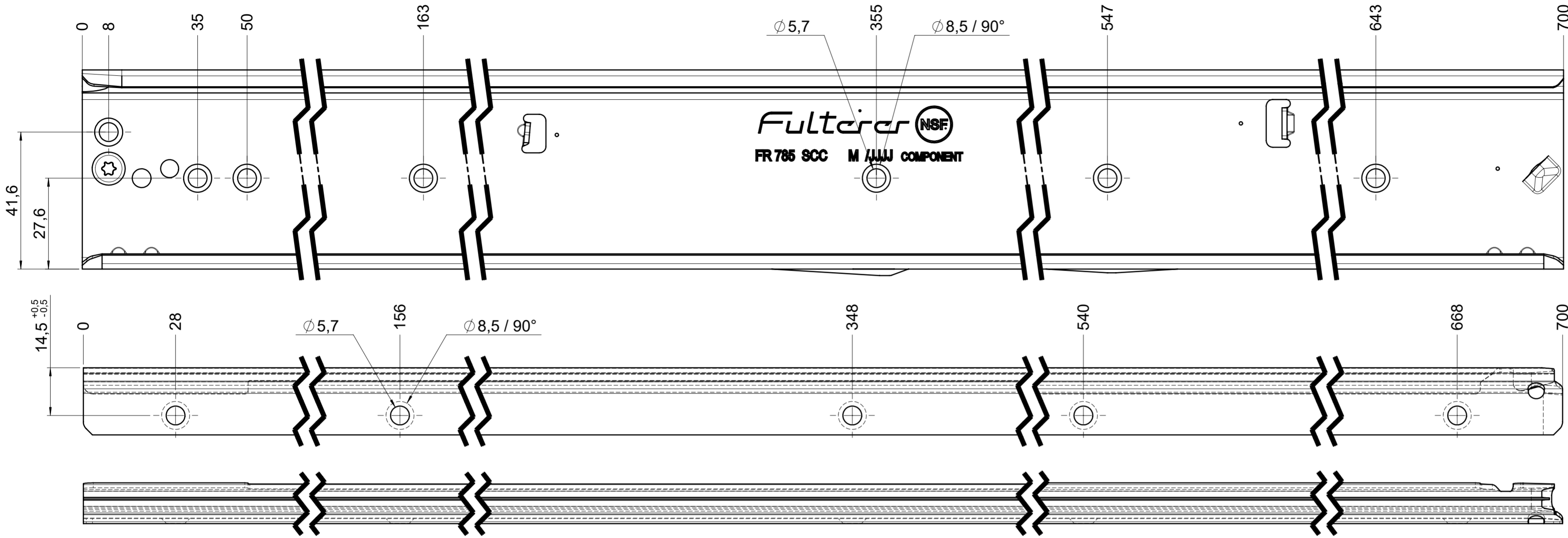


drawn left (right mirrorimage)



final approval

customer name:

signed by:

date:

all dimensions in mm				DIN ISO 128-30 missing dimensions see 3D = theor. intersection	
This drawing remains our property and may not be multiplied neither be disclosed to third parties (§§1,3 and 5 from the copyright Act (UrhG)) covered according to DIN ISO 16016					
(k)	(l)	(m)	(n)	scale:	1:1
				surface:	
(h)	(g)	(f)	(e)	drawn	20-04-2023
(d)	(c)	(b)	(a)	proven	20-04-2023
				Fulterer	
				Fulterer AG & Co KG A-6890 Lustenau / Austria	
				Fulterer AG CH-9430 St. Margrethen	
				material, semi finished parts: CS (technical requirements Fulterer)	
				description: FR 790 / 70 CS EN (mm) progressive-action over-extension drawerslide / side mount	
				drawing number: CS# 790.700-GA.L103	
				replaces version date:	
ind.	changes	date	na.		