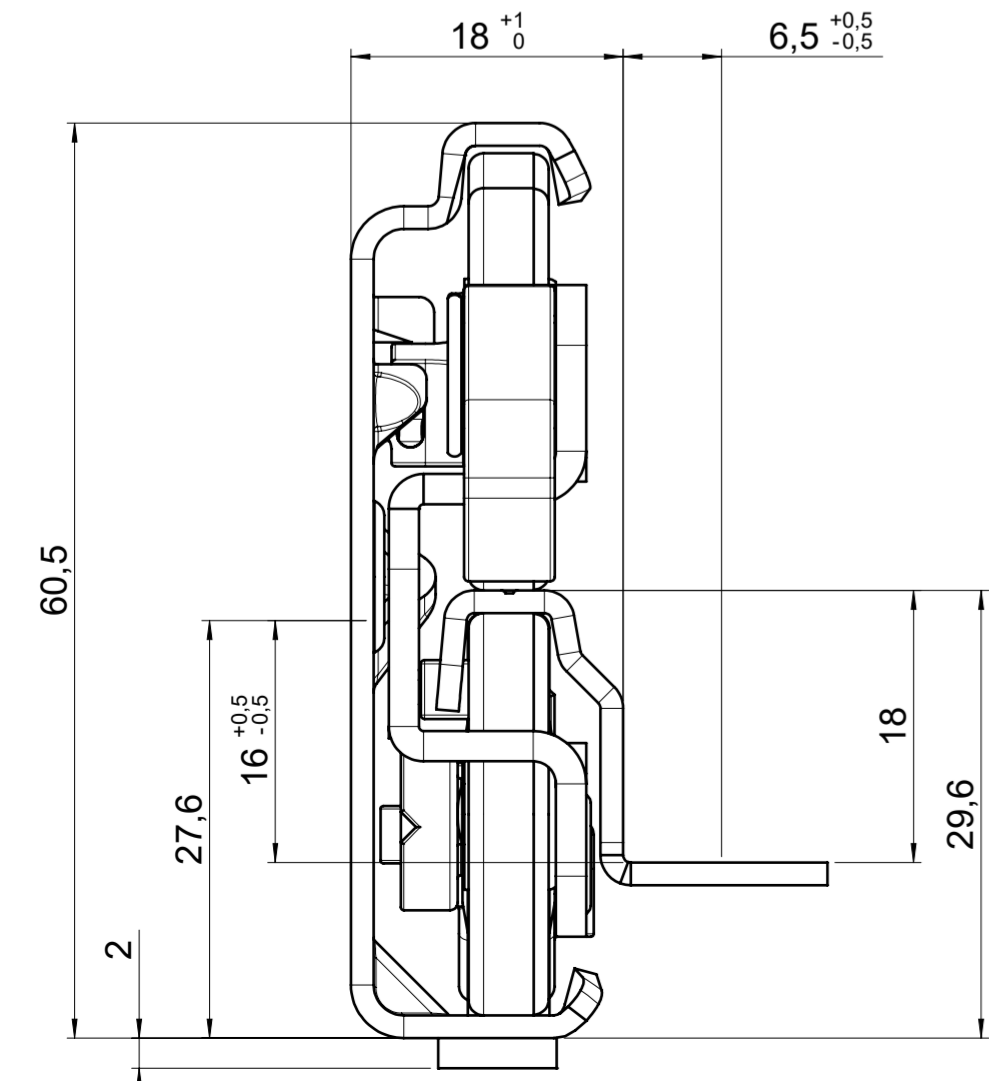
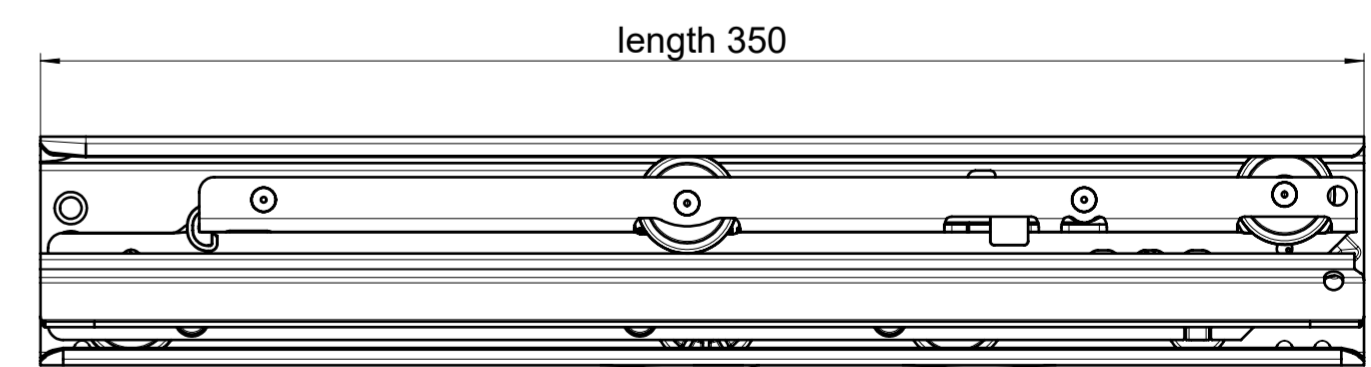
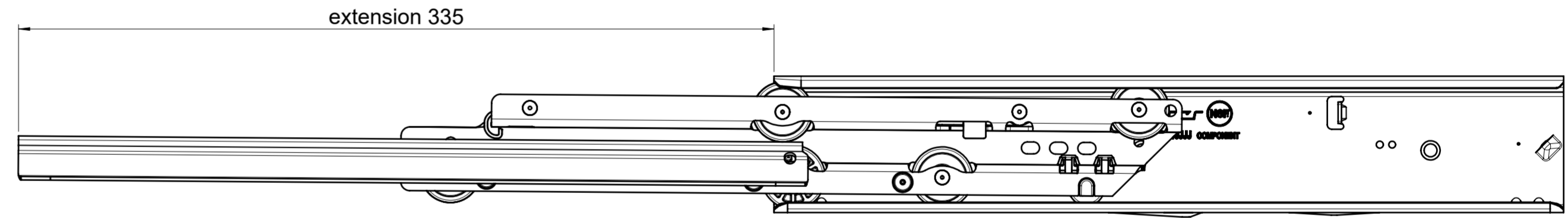
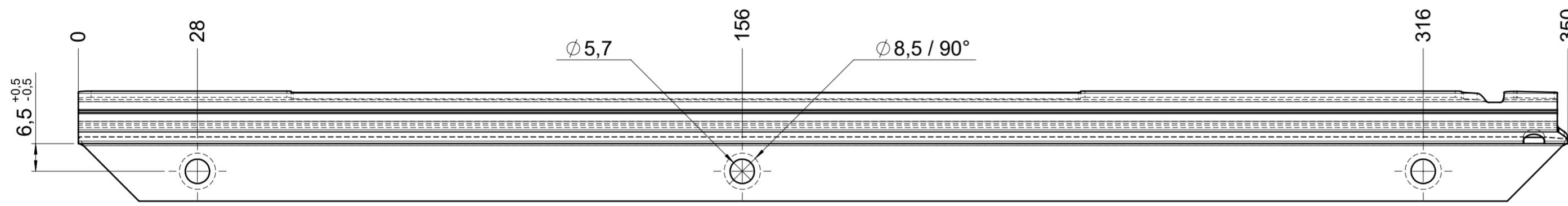
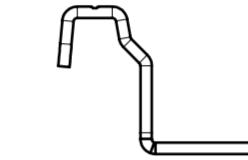
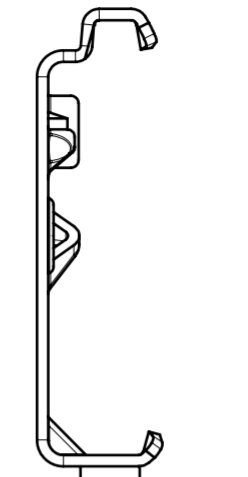
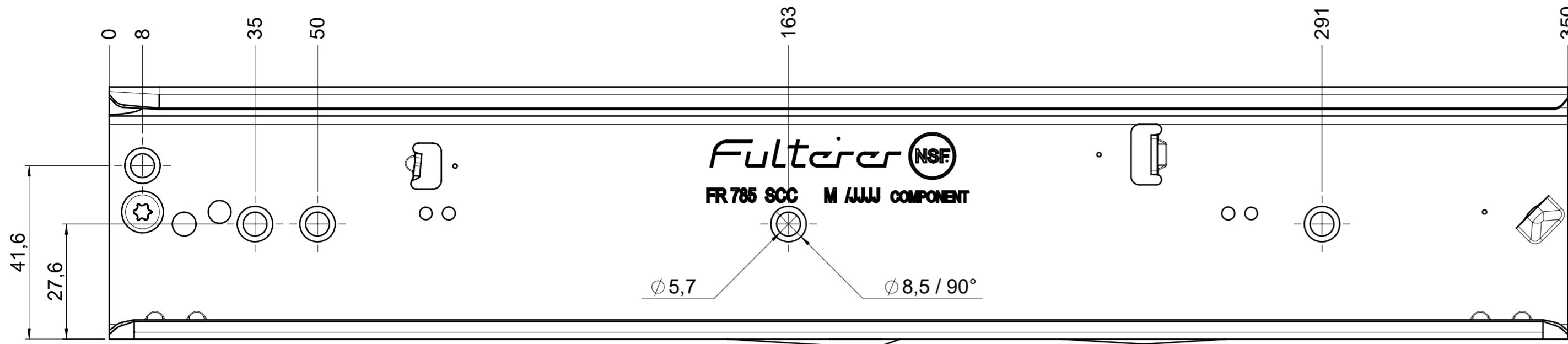


drawn left (right mirrorimage)



**final approval**

customer name:

signed by:

date:

| all dimensions in mm   |            |          |      | DIN ISO 128-30<br>missing dimensions see 3D<br>= theor. intersection                             |  |
|--|------------|----------|------|--|--|
| This drawing remains our property and may not be multiplied neither be disclosed to third parties (§§1,3 and 5 from the copyright Act (UrhG)) covered according to DIN ISO 16016 |            |          |      |  |  |
| scale: 1:1   |            | surface: |      | material, semi finished parts: CS (technical requirements Fulterer)                              |  |
| drawn  | 17-01-2023 | date     | name | description: FR 791 / 35 CS EN (mm) progressive-action full-extension drawerslide / bottom mount |  |
| proven   | 01-02-2023 | proven   | pr   | drawing number: CS# 791.350-GA.0000  |  |
|  |            |          |      | replaces version date:   |  |
| <b>Fulterer AG &amp; Co KG</b><br>A-6890 Lustenau / Austria<br><b>Fulterer AG</b><br>CH-9430 St. Margrethen  |            |          |      |  |  |
| ind.   | changes    | date     | na.  |  |  |