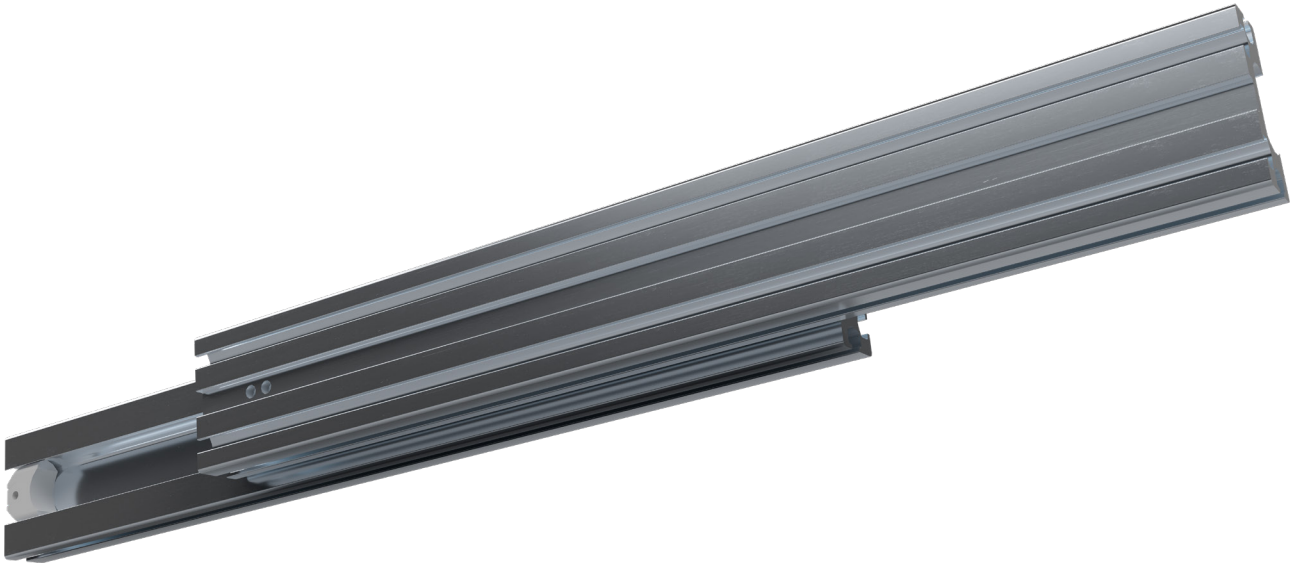



# FR 9001

## Regular Extension Aluminium Drawer Slide



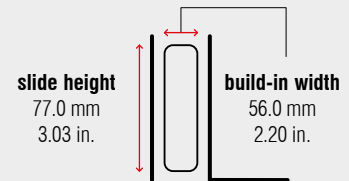
### Specifications

-  cabinet profile
-  drawer profil
-  56.0 mm / 2.20 in.
-  dynamic up to 225 kg / 500 lbs.
-  solid synthetic rollers and synthetic encased steel ball bearings
-  aluminium

### Characteristics

- modular sliding system for a wide variety of applications
- The special interior shape of the profile compensates installation inaccuracies in width, height and angular direction.
- centerline groove to mark the holes
- The system FR 9001 can be obtained completely assembled or all parts individually to be fabricated by the user enabling to produce odd sizes with the individual components.

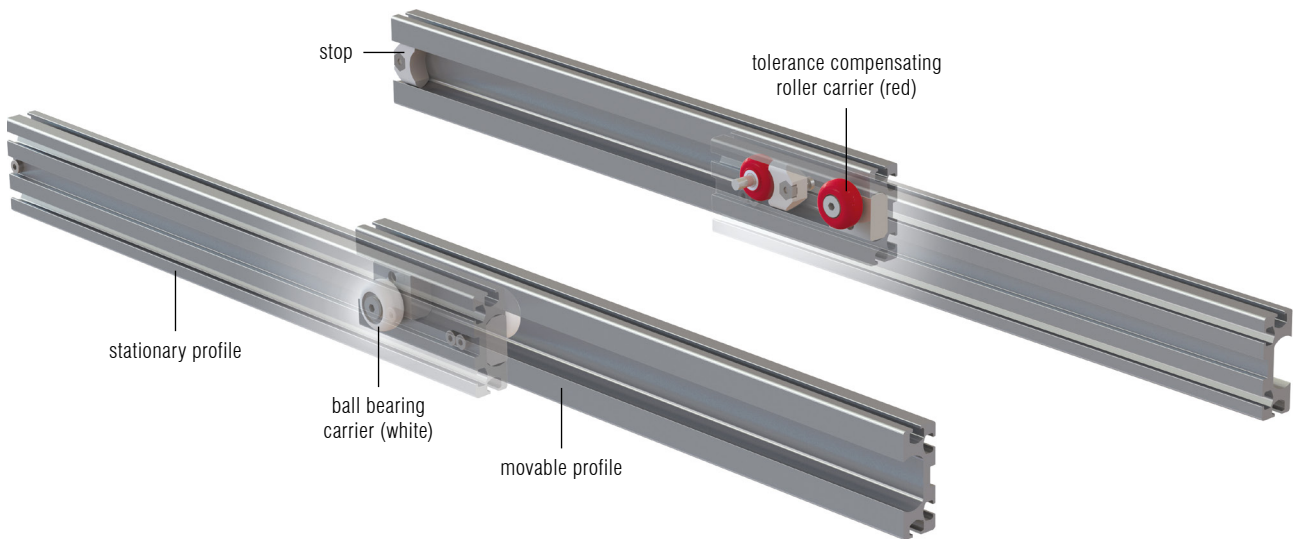
### Dimensions



Length		Extension		Length		Extension	
mm	inch	mm	inch	mm	inch	mm	inch
450	17.72	315	12.40	1,300	51.18	910	35.83
500	19.69	350	13.78	1,400	55.12	980	38.58
550	21.65	385	15.16	1,500	59.06	1,050	41.34
600	23.62	420	16.54	1,600	62.99	1,120	44.09
650	25.59	455	17.91	1,700	66.93	1,190	46.85
700	27.56	490	19.29	1,800	70.87	1,260	49.61
750	29.53	525	20.67	1,900	74.80	1,330	52.36
800	31.50	560	22.05	2,000	78.74	1,400	55.12
850	33.46	595	23.43	2,100	82.68	1,470	57.87
900	35.43	630	24.80	2,200	86.61	1,540	60.63
950	37.40	665	26.18	2,300	90.55	1,610	63.39
1,000	39.37	700	27.56	2,400	94.49	1,680	66.14
1,100	43.31	770	30.31	2,500	98.43	1,750	68.90
1,200	47.24	840	33.07				

Minimum order quantity, pricing and lead time on request

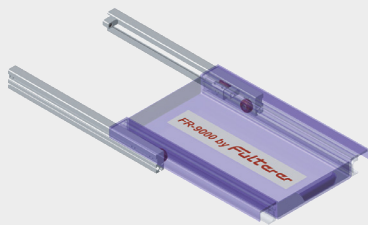
# FR 9001 | Regular Extension Aluminium Drawer Slide



- 1.) fasten stop with M6x20mm bolts (DIN7984)
- 2.) slide in carriers and fasten with M6x20mm bolts (DIN7984)
- 3.) slide in movable profile from the back forward
- 4.) fasten stop with M6x20mm bolts (DIN7984)

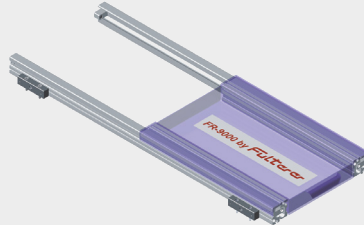
## Example FR 9001 Regular Extension

- 2 outer profiles with 4 stops and 2 carriers
- 2 inner profiles with 2 carriers
- all profiles have the same length, extension to one side



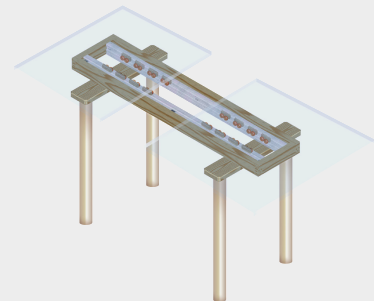
## Example FR 9001 Regular Extension

- 2 outer profiles with 4 stops
- 2 inner profiles with 4 carriers
- different lengths of profiles, extension to both sides



## Example FR 9001 Table Extension

- 2 outer profiles with 6 stops
- table top with carriers arranged in pairs



### Individual Components for Fabricators

Extruded Profile

Length 6,400 mm / 252 in.

Item No.

92014

Set for Regular Extension

2 pcs. tolerance compensating roller carriers (red), 2 pcs. ball bearing carriers (white), 4 pcs. stops, 16 pcs. M6x20mm bolts (DIN7984), 24 pcs. M6 square nuts (DIN557)

9200

Minimum order quantity, pricing and lead time on request

**Fulterer**